



Project:

Item Number:

Quantity:

MIRAGE® STANDARD DROP-IN INDUCTION RANGE



High-efficiency, standard, single element drop-in induction range with push button controls.

DESCRIPTION

The high-efficiency, standard drop-in induction range is designed for use in commercial kitchens and front-of-the-house cooking. The 1.4 kW, 120 volt range plugs easily into standard 15 amp or 20 amp, 120V outlets.

The case frame is made from heavy-duty, 18-gauge stainless steel with vitro ceramic top. The ceramic top is easily cleaned with a mild cleaner.

The induction range is equipped with a variety of safety features including:

- Over-heat protection
- Small-article detection
- Pan auto-detection function
- Empty-pan shut-off

Agency Listings



This device complies with Part 18 FCC Rules.

Due to continued product improvement, please consult www.vollrathco.com for current product specifications.

MODELS

59501 Single Hob Drop-in Range (US/Canada)

FEATURES

- G4 engine for longer life
- High-performance with smooth power control from 1% to 100% of output power
- Variable-speed knob for fast temperature adjustment
- Sensitive low-end control for cooking sauces, milks and chocolates
- Temperature regulation (°F and °C) control
- 1-180 minute timer for length of cooking time control
- Fast, high temperature cooking
- 90% efficiency rating
- Ranges display HOT when unit is turned off, if the counter is still hot
- Vertical control panel for runoff of liquid spills
- Unit comes complete with a 6-ft. (183 cm) power with cord and plug and does not require hard wiring
- Requires a 15A circuit
- Full one-year parts and labor warranty

IMPORTANT

- This appliance is intended for use with induction-ready cookware.
- All models require unrestricted intake and exhaust air ventilation for proper operation of the controls. The maximum intake temperature must not exceed 110°F (43°C). Temperatures are measured in ambient air while all appliances in the kitchen are in operation.
- Drop-in models require a minimum clearance of 3 inches (7.6 cm) at the rear and 1 inch (2.5 cm) at the bottom.

WARRANTY: All models shown come with Vollrath's standard warranty against defects in materials and workmanship. For full warranty details, please refer to the Vollrath Equipment and Smallwares Catalog.

Approvals

Date



Setting the Standard™

www.vollrathco.com

The Vollrath Company, L.L.C.
1236 North 18th Street
Sheboygan, WI 53081-3201 U.S.A.
Customer Service: 800.628.0830
Canada Customer Service: 800.695.8560
Main Fax: 800.752.5620 or 920.459.6573

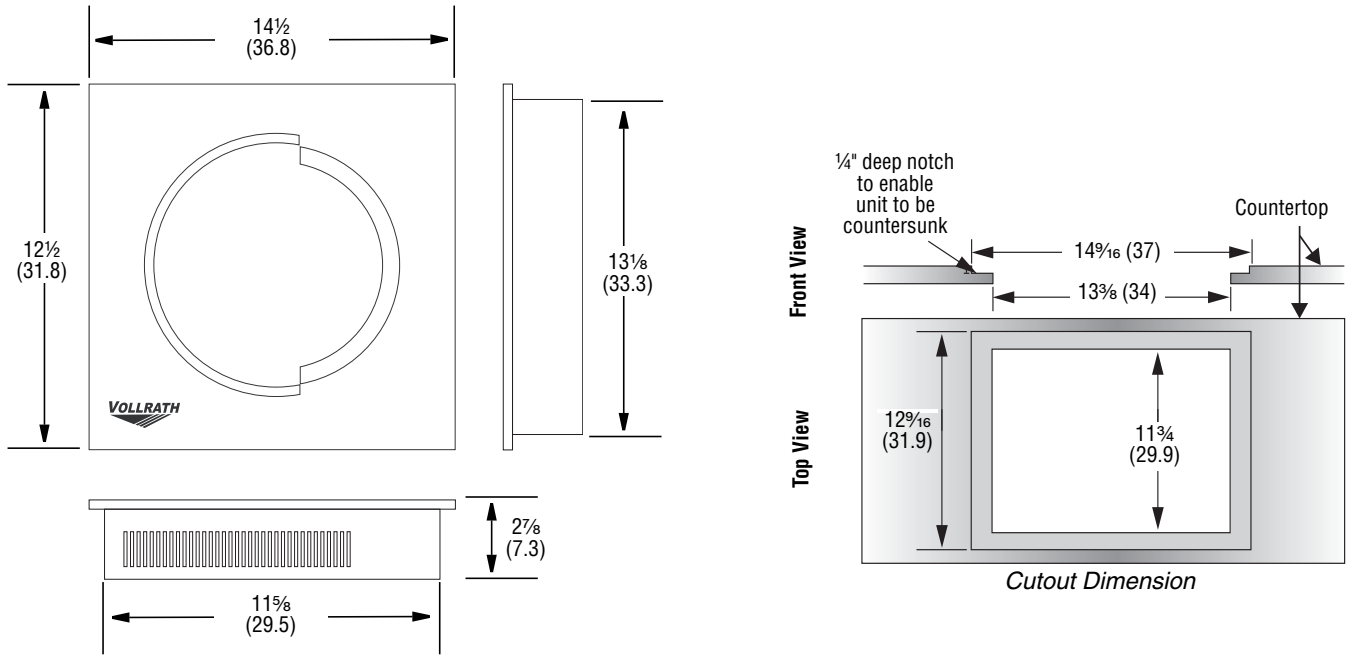
Technical Services: 800.628.0832
Technical Services Fax: 920.459.5462

MIRAGE® STANDARD DROP-IN INDUCTION RANGE

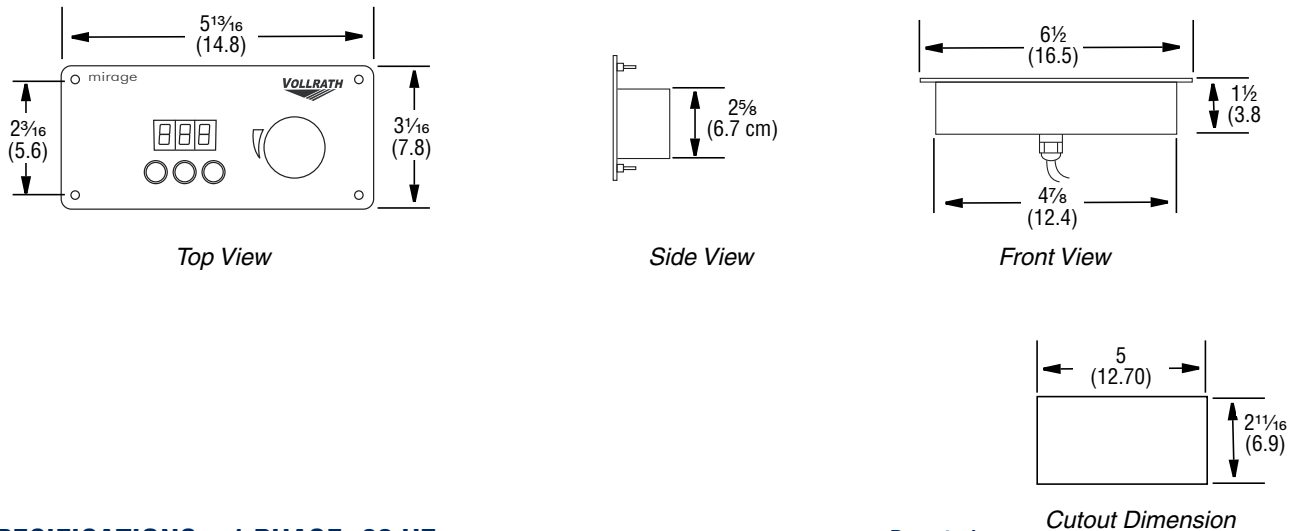
MODELS 59501 Single Hob Drop-in Range (US/Canada)

DIMENSIONS

Dimensions shown in inches (cm)



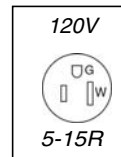
REMOTE CONTROL



SPECIFICATIONS – 1 PHASE, 60 HZ

Model	Max Pan Size	kW Rating	Volts	Nominal Amps	Plug	Weight	Shipping Weight	Shipping Container
59501	14 (35.6)	1.4	120V AC	12	5-15P	12 lbs (5.4 kg)	16.4 lbs (7.4 kg)	$17\frac{3}{8} \times 17 \times 6\frac{7}{8}$ (44.16 x 43.2 x 17.5)

Receptacle



www.vollrathco.com

The Vollrath Company, L.L.C.
1236 North 18th Street
Sheboygan, WI 53081-3201 U.S.A.
Customer Service: 800.628.0830
Canada Customer Service: 800.695.8560
Main Fax: 800.752.5620 or 920.459.6573

Technical Services: 800.628.0832
Technical Services Fax: 920.459.5462