



T&S BRASS AND BRONZE WORKS, INC.

2 Saddleback Cove / P.O. Box 1088
Travelers Rest, SC 29690

Model No.

B-1210

Item No.

Travelers Rest, SC: 800-476-4103 • Simi Valley, CA: 800-423-0150 • Fax: 864-834-3518 • www.tsbrass.com

This Space for Architect/Engineer Approval

Job Name _____ Date _____

Model Specified _____ Quantity _____

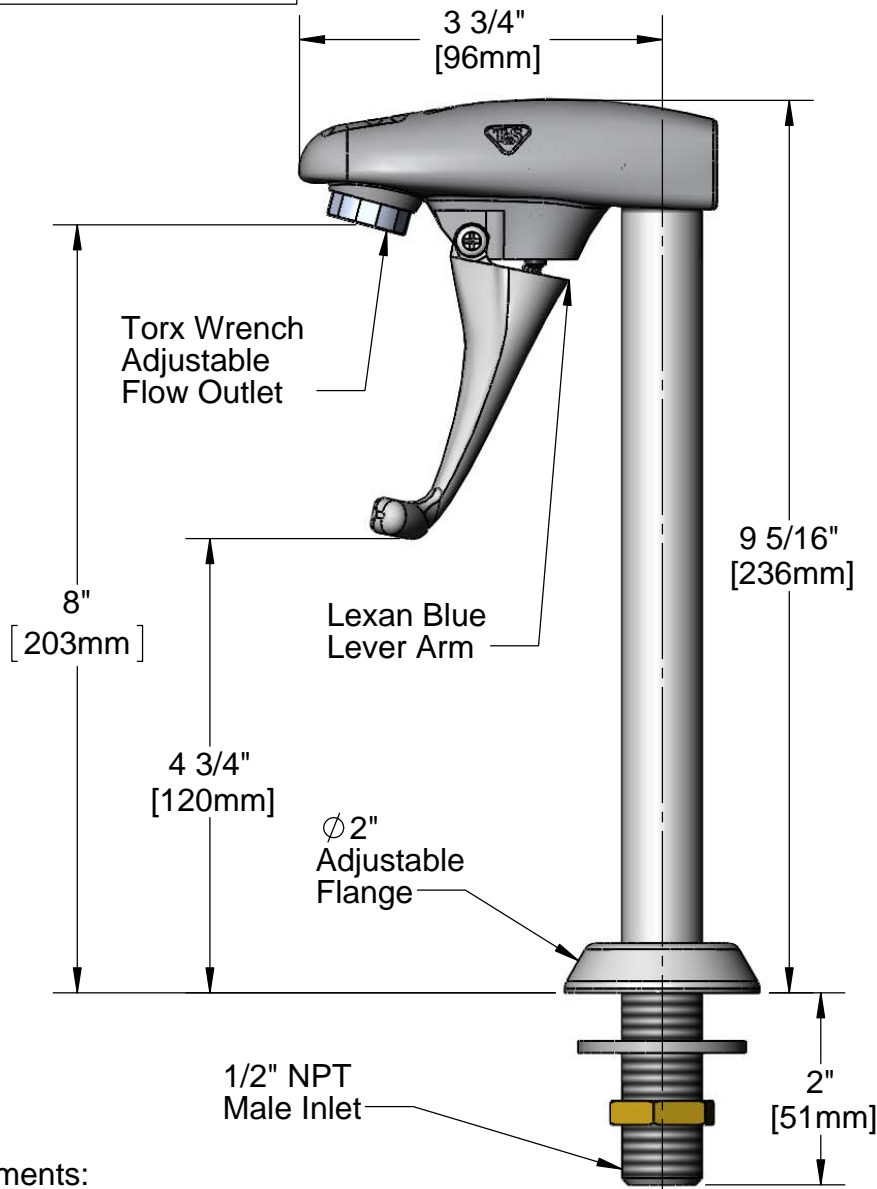
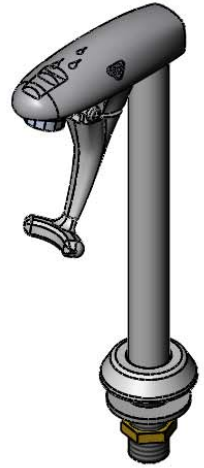
Customer/Wholesaler _____

Contractor _____

Architect/Engineer _____



ADA Compliant



Note: Rough-In Requirements:
 ϕ 1" [25mm] Hole

Product Specifications:
Pedestal Type Glass Filler, Push Back Design,
1/2" NPT Male Shank, Adjustable Flange,
Blue Self-Closing Lexan Arm

Drawn

JRM

Checked

DMH

Approved

JHB

Scale:

1:2

Date:

10/07/11



T&S BRASS AND BRONZE WORKS, INC.

2 Saddleback Cove / P.O. Box 1088
Travelers Rest, SC 29690

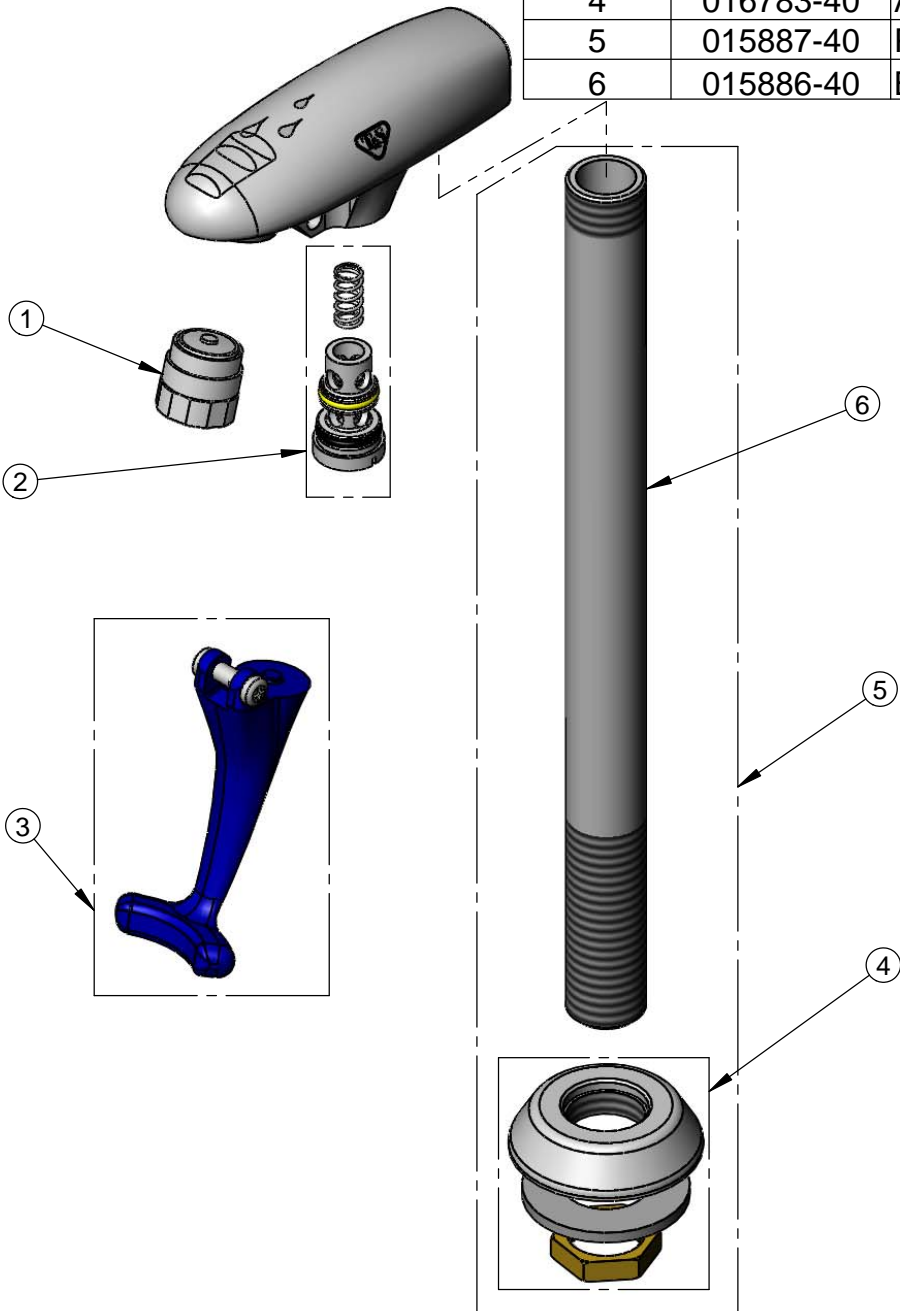
Model No.

B-1210

Item No.

Travelers Rest, SC: 800-476-4103 • Simi Valley, CA: 800-423-0150 • Fax: 864-834-3518 • www.tsbrass.com

ITEM NO.	SALES NO.	DESCRIPTION
1	015588-40	Adjustable Outlet w/Torx Wrench
2	015589-40	Valve Assembly
3	015550-45	Lever Arm Repair Kit
4	016783-40	Adjustable Deck Flange Repair Kit
5	015887-40	Pedestal Assembly
6	015886-40	B-1210 Pedestal



Product Specifications:
Pedestal Type Glass Filler, Push Back Design,
1/2" NPT Male Shank, Adjustable Flange,
Blue Self-Closing Lexan Arm

Drawn JRM	Checked DMH	Approved JHB
Scale: NTS		Date: 10/07/11