



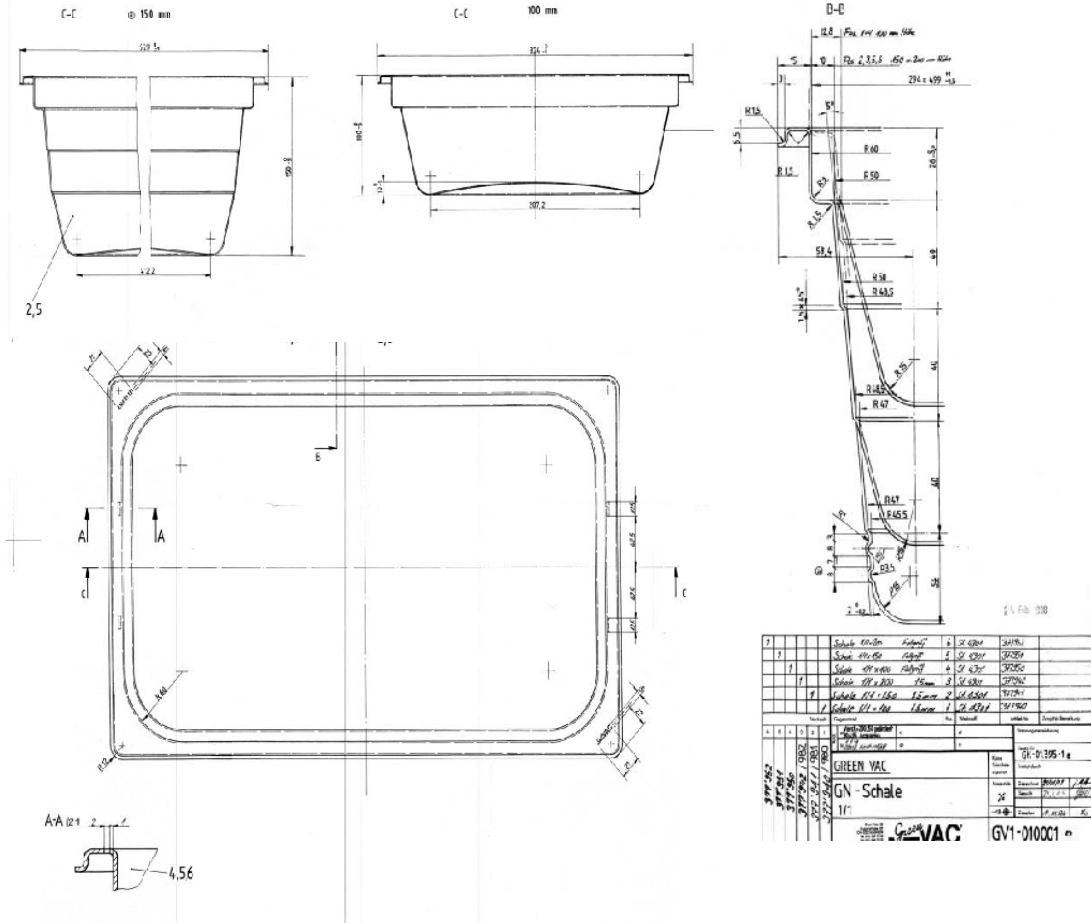


Vacuum Packaging System Spec Sheet

<p>GREENVAC VACUUM PACKAGING SYSTEM</p>	<p>FEATURES</p>
<p>ITEM: GV100-GN1/1</p>	<p>GN1/1 are manufactured with 1/16" chrome nickel steel. In comparison, conventional containers are manufactured with a thickness of 1/32". Oven safe.</p>
	<p>LIDS</p> <p>Developed from a high performance polyamide (Grilamid) Product Facts:</p> <ul style="list-style-type: none"> •High impact resistance •High weather resistance •High chemical resistance •Perfect abrasions-resistance and sliding condition •Minimum water absorption very high dimensions stability •Minimum specific weight •Excellent high impact resistance •High barrier-character •Lids short term resistant to temperatures up to 194°F (dishwater)
<p>DESCRIPTION</p>	<p>SEALS</p>
<p>The robust, stainless steel 1/1 GN vacuum packaging system is standard equipped with a vacuum lid, gasket seal & nozzle. NSF certified.</p>	<p>The gaskets are made of food compatible silicone. The valve is produced from latex. All GreenVAC components are new developments for a use in high vacuum. The atmospheric pressure in such a vacuum has a value of 900 - 1700kg / cm² depending on the size of GreenVAC container!</p> <p>Used in connection with:</p> <ul style="list-style-type: none"> •Henkelman Vacuum Machine w/External Adapter. •A retrofitted chamber machine. •Directly in the chamber of a standard vacuum machine, sizes are dependent on the chamber size.
<p>WARRANTY</p>	
<p>All models shown come with Invacus standard one year warranty against defects in materials and workmanship. For full warranty details, please refer to: Invacus.com</p>	
 	
<h1>GREEN VAC</h1>	
 www.invacus.com	<p>Invacus LLC Sales and Technical Support 493 W Fullerton Ave Elmhurst IL, 60126</p> <p>Ph: +1 331 979 2013 E: info@henkelmanusa.com Fax: +1 630 359 3875</p>

Vacuum Packaging System Specs

DIMENSIONS
IN INCHES



MODEL	DIMENSIONS (INCHES)			WEIGHT (LBS)	CAPACITY (US FLUID OZ)
GV100-GN1/1	L	W	H	8.9 lbs	253 fl oz
	20.8"	12.8"	3.9"		

GREEN VAC



www.invacus.com

Invacus LLC Sales and Technical Support
493 W Fullerton Ave
Elmhurst IL, 60126

Ph: +1 331 979 2013
E: info@henkelmanusa.com
Fax: +1 630 359 3875