



CONVECTION OVEN

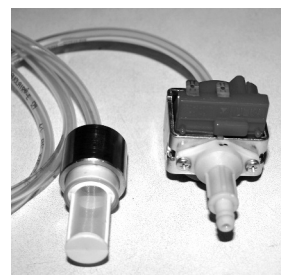
CONCEPT

HALF SIZE CONVECTION OVENS

From pastries to entrees...

Bakes fast and evenly, intensifies and seals in flavor

- Compact footprint with four (4) half size sheet pan capacity
- Stainless steel exterior and interior construction
- Four chrome plated wire shelves included
- Rear fan and heating assembly create true convection pattern
- Unique air flow design ensures quick and uniform baking
- Thermostatic control up to 570°F with 120 minute timer
- Cool-to-the-touch double glass door removable for easy cleaning
- Internal light allows for cooking visibility
- Optional manual steam feature (for FC-60)



*Manual steam feature for FC-60P

ARIEL

FC-60/1

120 V

FC-60

208/240 V



PINNACLE

FC-60G/1

120 V

FC-60G

208/240 V



*TurboQuartz feature



CAPACITY:

- (4) wire shelves 13"x18" (included)
- (4) half size sheet pans (12⁷/₈"x17³/₄"x1")
- (4) two-thirds size steam table pans (13⁷/₈"x12³/₄"x2¹/₂"

*FC-60P: with optional manual steam feature

WITH TURBOQUARTZ® FEATURE

features infrared overhead broiling elements - convection and broiling modes operate separately or in combination



765 WESTMINSTER STREET PROVIDENCE, RI 02903
 TEL: (401)273-3300 FAX: (401)273-3328 E-mail: sales@equipex.com
 www.equipex.com

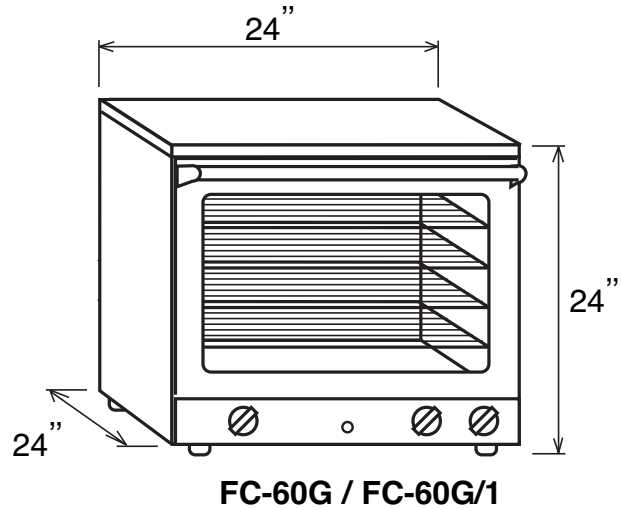
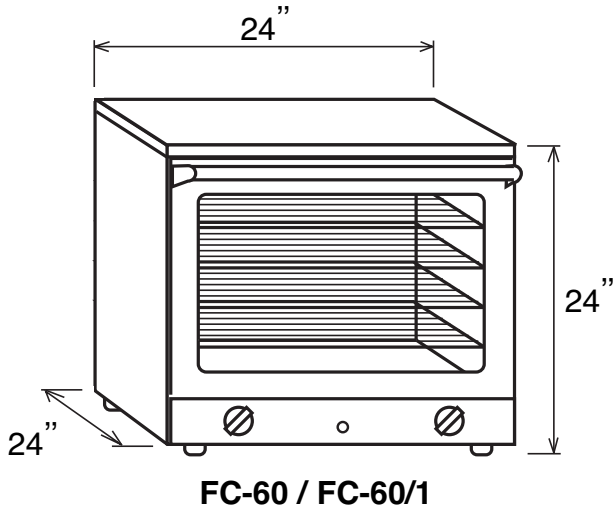


**HALF SIZE CONVECTION OVEN
MODEL FC-60, FC-60/1**

*Optional manual steam feature:
– Cold water supply: 1/2" hose connection

**HALF SIZE CONVECTION OVEN
WITH BROILER - TURBOQUARTZ®
MODEL FC-60G, FC-60G/1**

All features of FC-60 with infrared heating elements overhead - convection and broiling modes operate separately or in combination



INSTALLATION CLEARANCE: 2" EACH SIDE, TOP AND BACK

SPECIFICATIONS

MODEL	ELECTRICAL	EXTERIOR DIMENSIONS	INTERIOR DIMENSIONS	SHIPPING WEIGHT	NEMA PLUG
*FC-60	208/240V, 1PH, 3.3KW, 13/15 Amps	24"Wx24"Dx24"H (add 4" for legs)	18 1/2"Wx14 1/2"x13 1/2"H	135 lbs	6-20P
*FC-60/1	120V, 1.7KW, 14 Amps	24"Wx24"Dx24"H (add 4" for legs)	18 1/2"Wx14 1/2"x13 1/2"H	135 lbs	5-15P
FC-60G	208/240V, 1PH, 3.3KW, 13/15 Amps	24"Wx24"Dx24"H (add 4" for legs)	18 1/2"Wx14 1/2"x12"H	135 lbs	6-20P
FC-60G/1	120V, 1.7KW, 14 Amps	24"Wx24"Dx24"H (add 4" for legs)	18 1/2"Wx14 1/2"x12"H	135 lbs	5-15P

WARRANTY: Limited one year parts and labor



765 WESTMINSTER STREET PROVIDENCE, RI 02903
 TEL: (401)273-3300 FAX: (401)273-3328 E-mail: sales@equipex.com
 www.equipex.com