



Do not remove panel tie straps until after the bottom frame is installed. Open this User Manual for full directions.

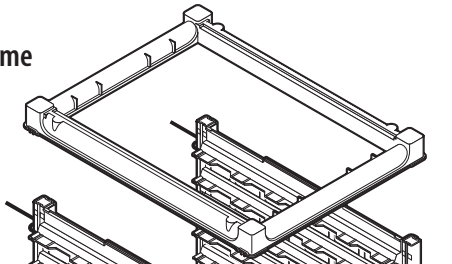


No rompa las ataduras plásticas del panel hasta que el marco inferior haya sido instalado. Abra este manual del producto para instrucciones.

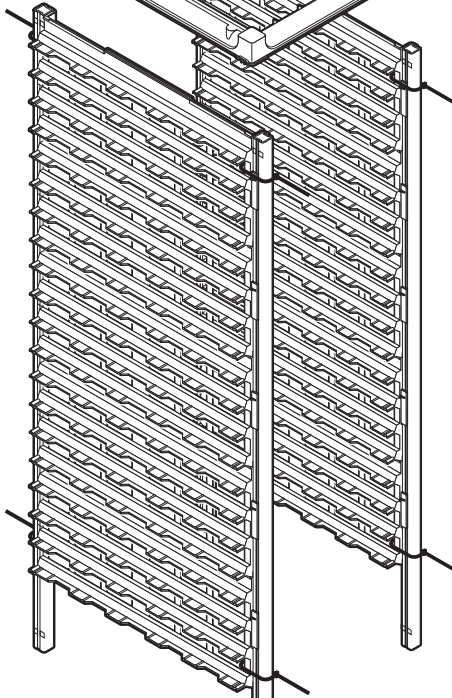


IMPORTANT!
Do not remove tie straps until after Step 1.

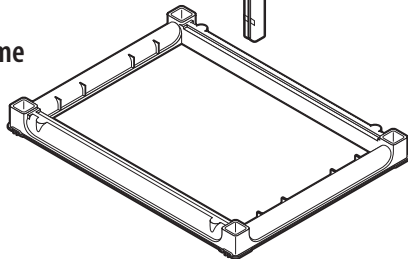
1 Top Post
Connector Frame



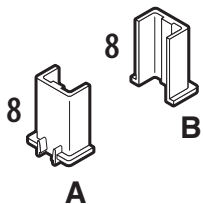
2 Pre-Assembled
Rail Panels



1 Bottom Post
Connector Frame

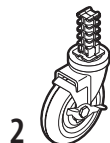


16 Post Connector
Frame Wedges



4 Casters

Zinc



Premium
Plastic

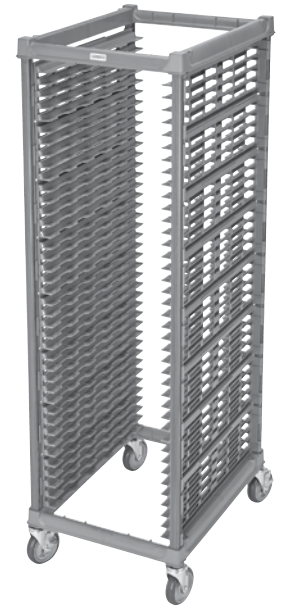


Camshelving® Ultimate Sheet Pan Rack

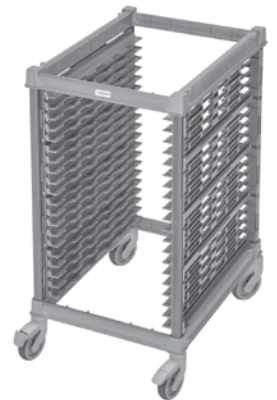
User Manual



2 Person
Assembly



Full Size Rack



Half Size Rack



Undercounter Rack



Use Rubber Mallet
for Assembly



Use Clippers to
Remove Tie Straps
(After Step 1 is Complete)



Scan for
Assembly Video



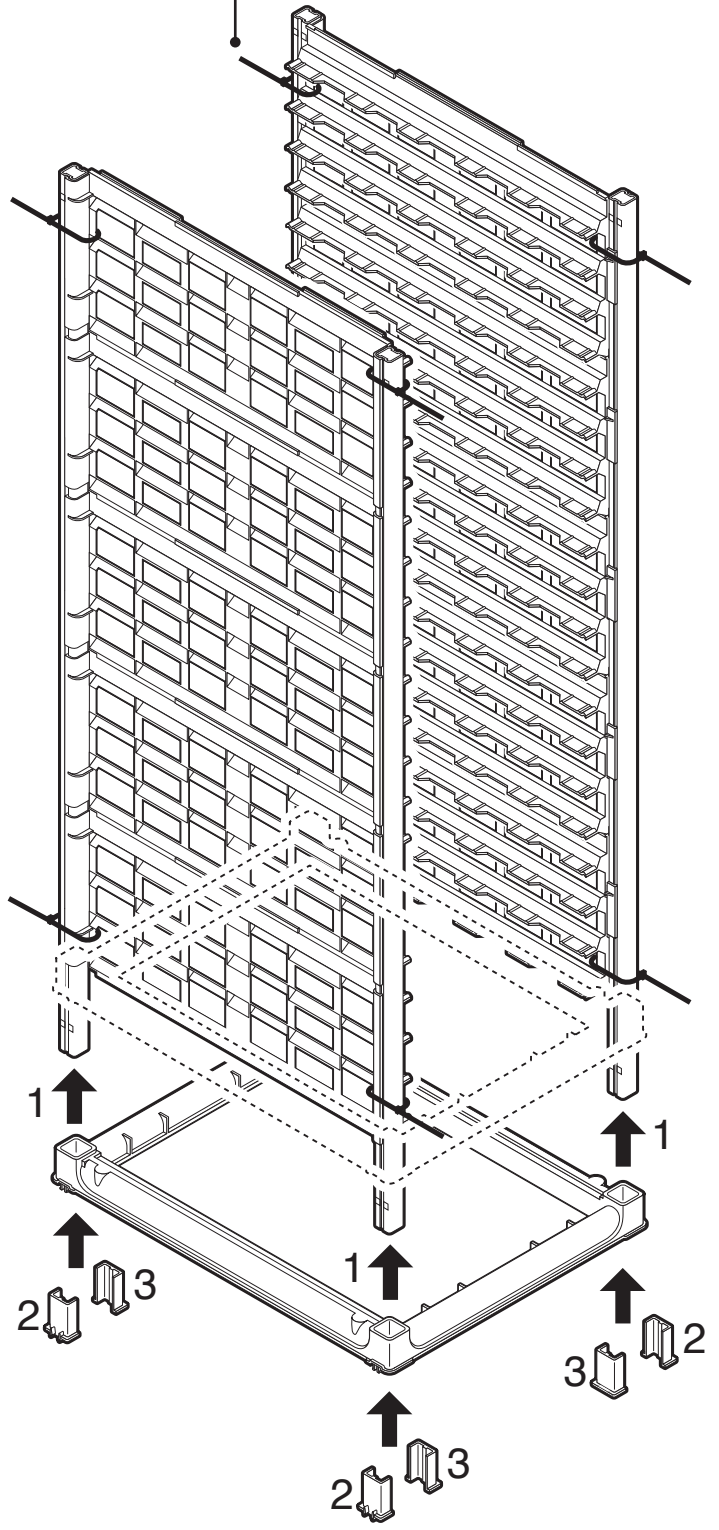
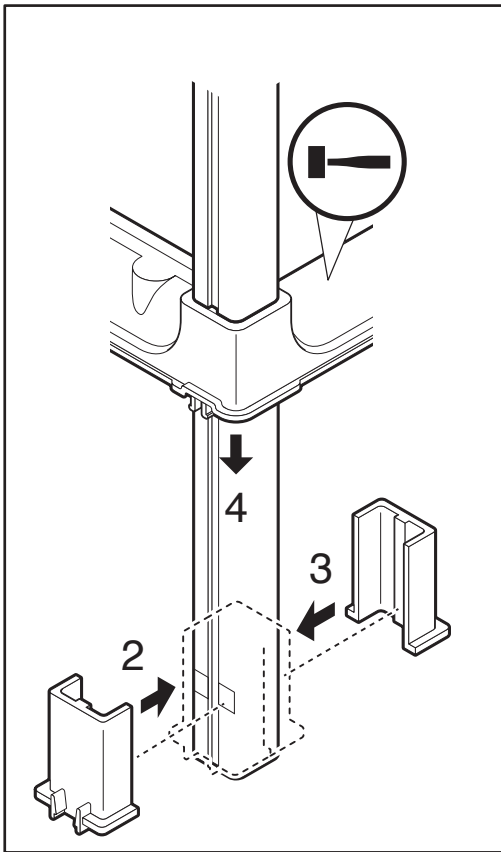
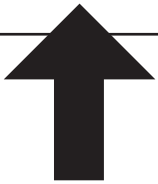
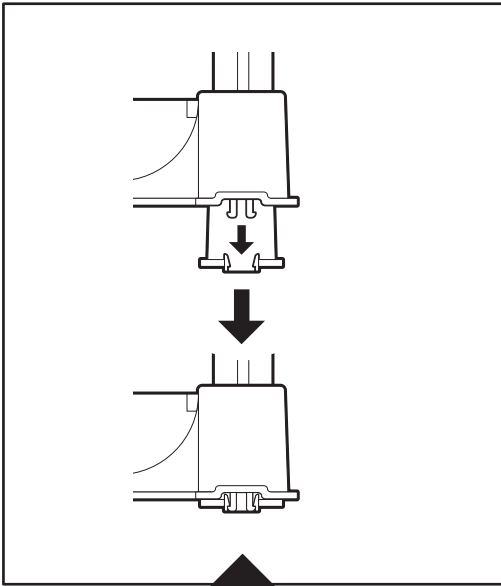
CAMBRO
TRUSTED FOR GENERATIONS™

www.cambro.com

Assembly Instructions

Step 1: Install Bottom Post Connector Frame

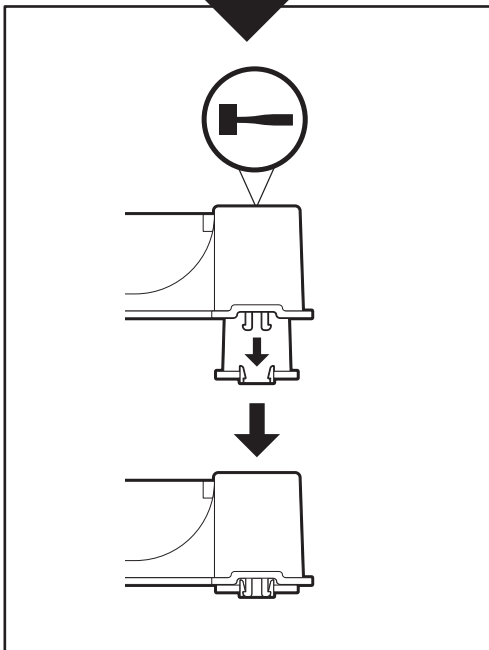
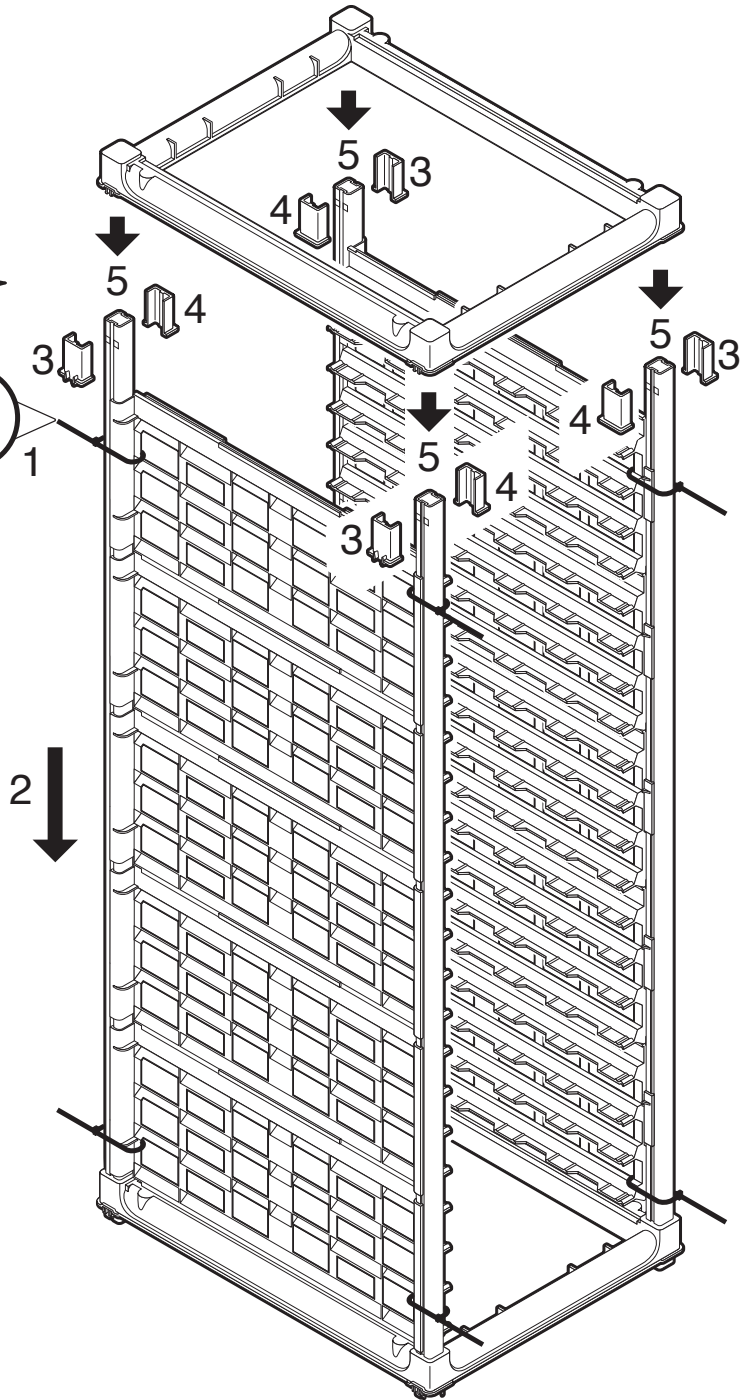
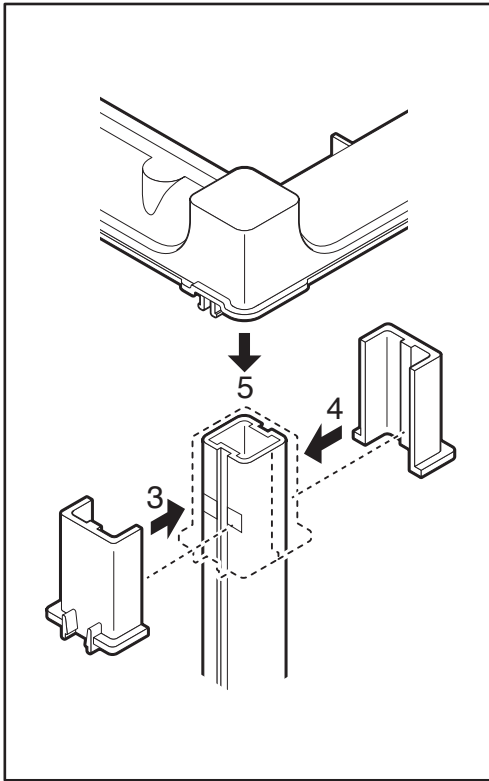
 **IMPORTANT!** Do not remove tie straps until after bottom frame is installed.



Step 2: Install Top Post Connector Frame

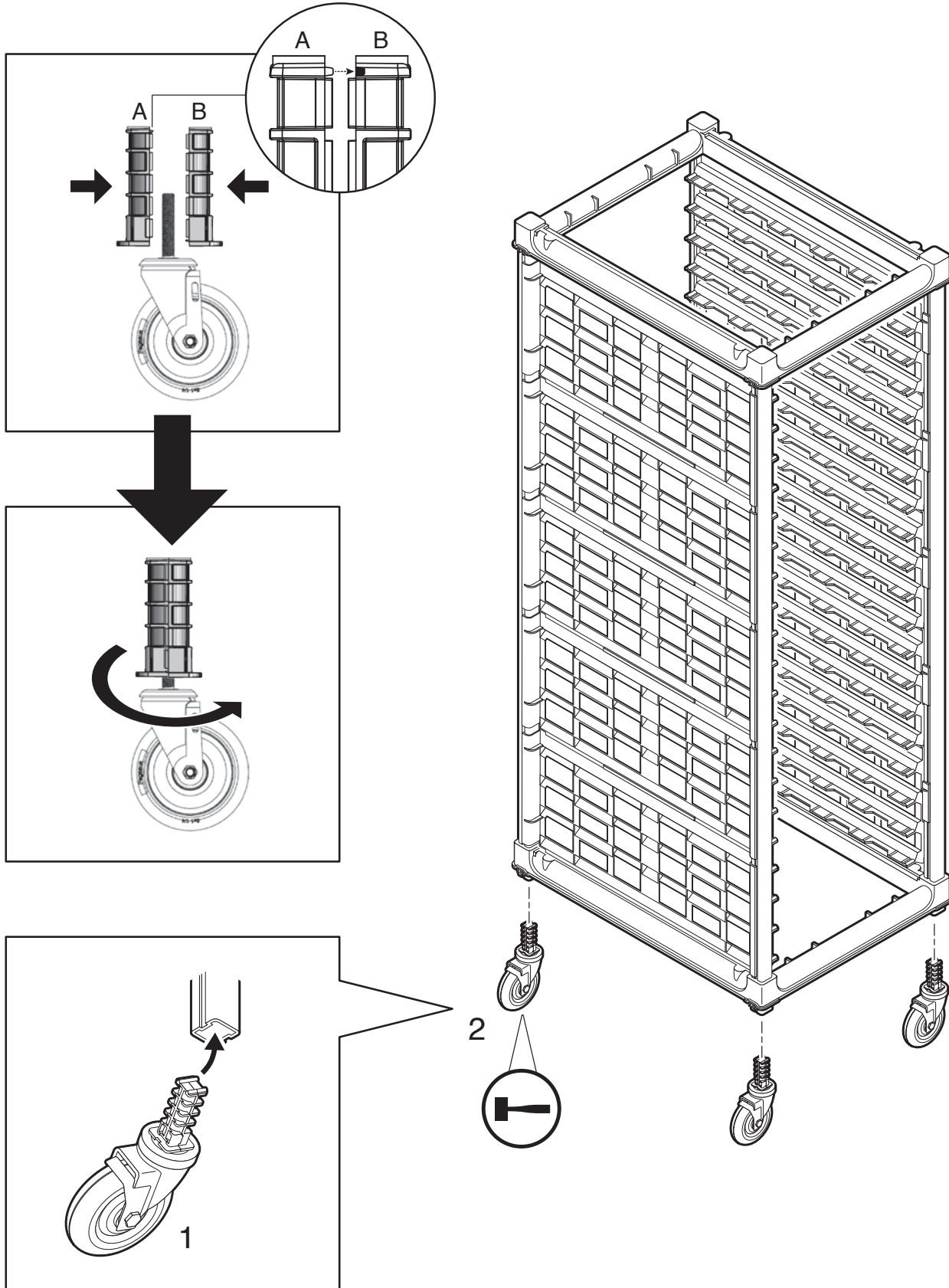


Clip ALL tie straps first and move rail panels down.



Step 3: Install Casters

If threaded insert set has come loose from the caster stem, follow these steps. Then proceed to 1 below.



Care and Maintenance

- Clean racks with hot water, mild detergent and soft cloth or sponge. Racks may also be pressure washed. Use cleaners and degreasers designated for plastic materials.
- DO NOT use cleaners or detergents containing ammonia or bleach.
- DO NOT use steel wool, abrasive scrub pads or brushes.
- Wipe off any remaining soap and dirt with a clean cloth. Allow to air dry or use a clean cloth to wipe dry.

Warranty

- Camshelving® Ultimate Sheet Pan Racks have a warranty for one year from the date of shipment from Cambro's distribution centers.
- The warranty is in effect provided that the product has not been altered in any way and assuming normal and proper use and maintenance. Abuse or misuse will void the warranty.
- Camshelving Ultimate Sheet Pan Racks are warrantied against rust and corrosion on mobile posts (with Premium Plastic Casters) and rail panels.
- Camshelving Ultimate Sheet Pan Rack Mobile Posts with Zinc Casters are NOT warrantied against rust and corrosion.

Caution!

- Camshelving Ultimate Sheet Pan Racks are not intended for use in any type of roll-in oven.
- Do not use with or place near an open flame or against hot surfaces above 350°F.