



# HOSHIZAKI

## Parts List

Ice Bin

Models

B-1150SS

B-1300SS

B-1500SS

B-1650SS



[hoshizakiamerica.com](http://hoshizakiamerica.com)

Number: 71238  
Issued: 3-9-2005  
Revised: 9-18-2017

## CONTENTS

Auxiliary Codes.....	3
Note About Ordering Parts .....	3
A. Bin Assembly .....	4
B. Snout Assembly.....	5
C. Door Assembly .....	6
D. Accessories & Options .....	7

## Auxiliary Codes

### B-1150SS

Q-5	August 2005
R-5	December 2005
R-6	September 2006
S-5	January 2007
T-5	January 2008
U-5	January 2009
V-5	January 2010
A-5	January 2011
B-5	January 2012
C-5	January 2013
D-5	January 2014
E-5	January 2015
F-5	September 2016
G-5	January 2017

### B-1500SS

Q-5	August 2005
R-5	December 2005
R-6	September 2006
S-5	January 2007
T-5	January 2008
U-5	January 2009
V-5	January 2010
A-5	January 2011
B-5	January 2012
C-5	January 2013
D-5	January 2014
E-5	January 2015
F-5	September 2016
G-5	January 2017

### B-1300SS

P-5	August 2004
Q-5	March 2005
R-5	December 2005
R-6	September 2006
S-5	January 2007
T-5	January 2008
U-5	January 2009
V-5	January 2010
A-5	January 2011
B-5	January 2012
C-5	January 2013
D-5	January 2014
E-5	January 2015
F-5	Novemver 2016
G-5	January 2017

### B-1650SS

P-5	August 2004
Q-5	March 2005
R-5	December 2005
R-6	September 2006
S-5	January 2007
T-5	January 2008
U-5	February 2009
V-5	January 2010
A-5	January 2011
B-5	January 2012
C-5	January 2013
D-5	January 2014
E-5	January 2015
F-5	January 2016

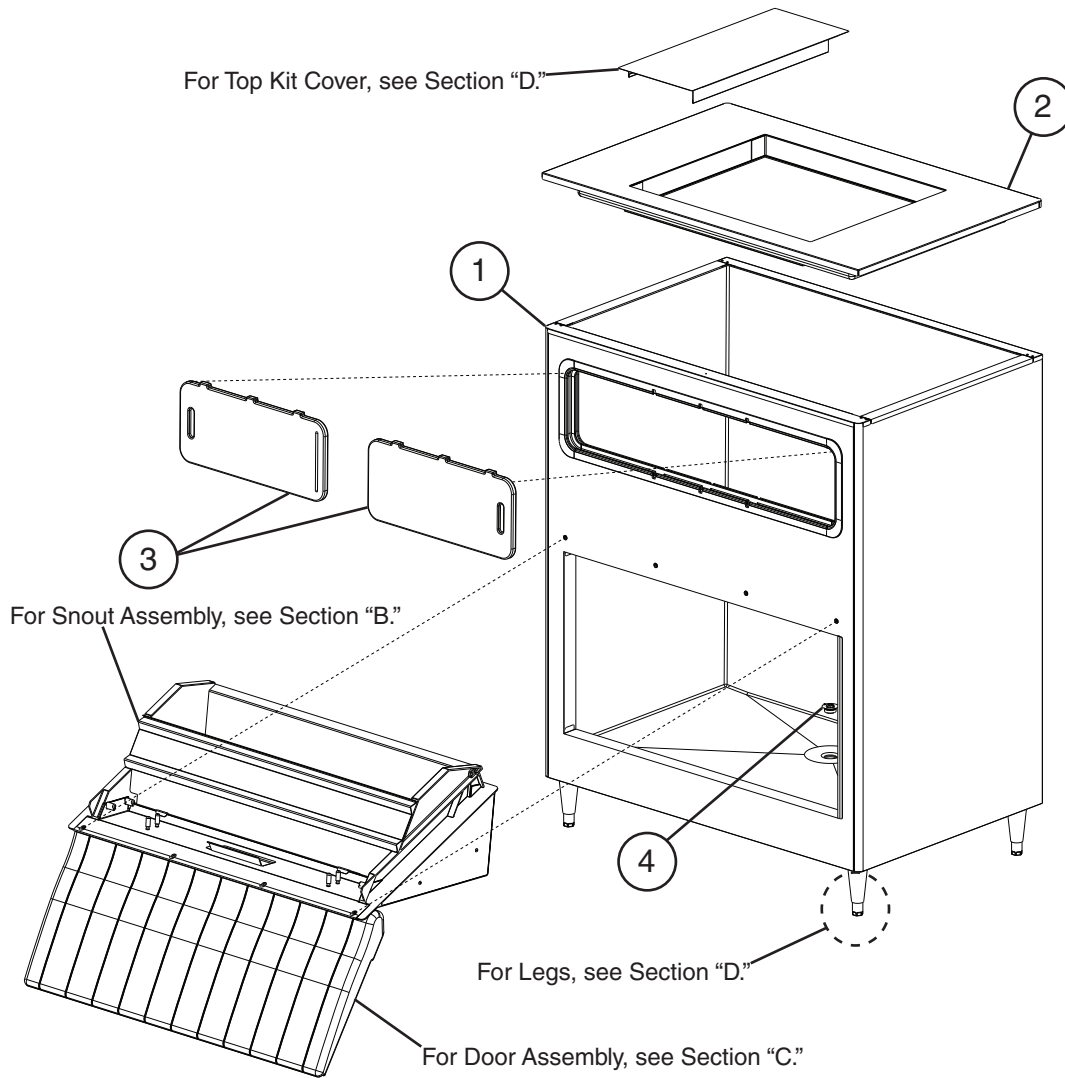
## Auxiliary Code Breakdown

The auxiliary code is the first two characters in the serial number. The first character indicates the year. Years progress or regress in alphabetical order. The series runs from "A" through "V" and the letters "I" and "O" are skipped. The second character indicates significant part changes within a year. Base is "5" and this number advances for each change. In cases where there is a letter in parentheses, this designates the month. This is the last character in the serial number. The series runs from "(A)" through "(M)" and the letter "(I)" is skipped. This designation is only included when identifying a parts change within an auxiliary code.

## Note About Ordering Parts

Most assemblies cannot be ordered as complete units; parts in the assemblies generally must be ordered separately.

**A. Bin Assembly**  
**B-1150SS, B-1300SS, B-1500SS, B-1650SS**  
P-5 to G-5

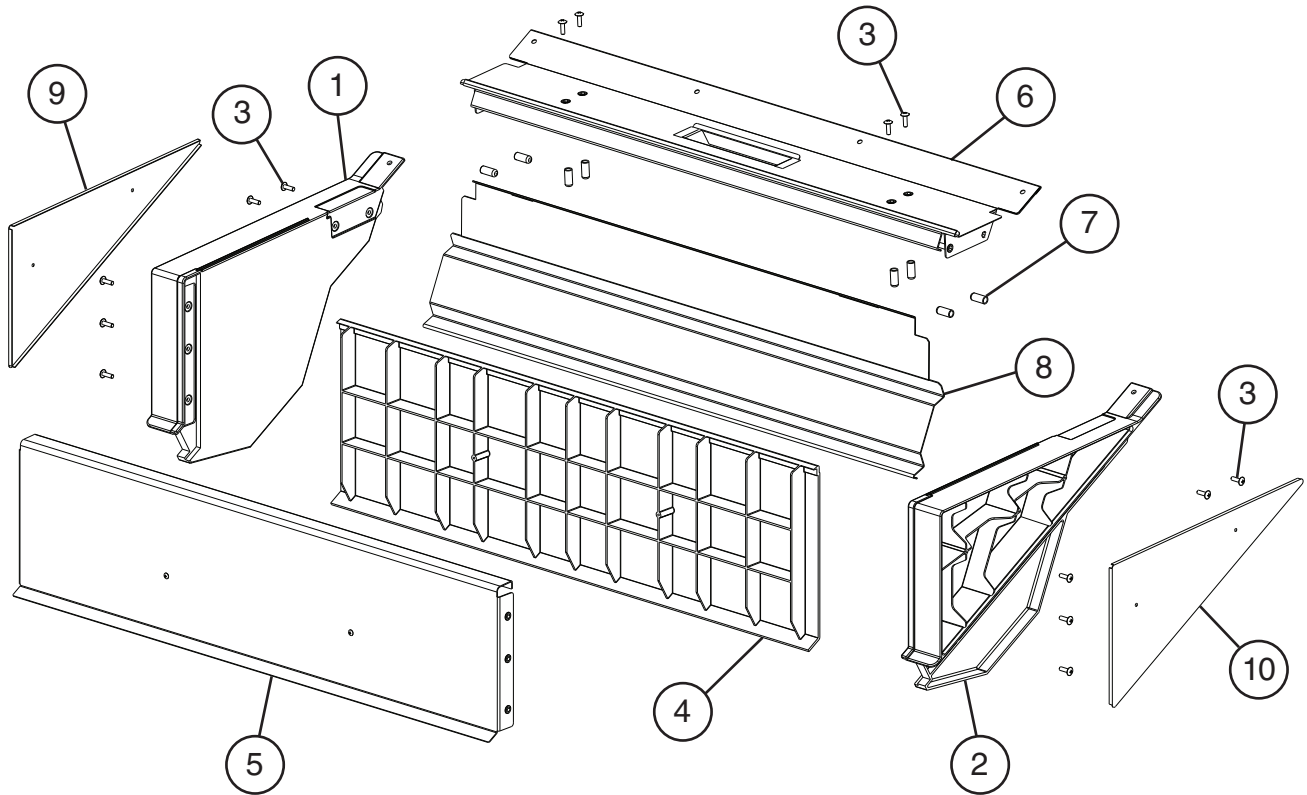


Title: A. Bin Assembly Model: B-1150SS, B-1300SS, B-1500SS, B-1650SS										
Index No.	Description	Material or Model Number	Part Number	Required Number						
				P-5 to Q-5	R-5 to G-5					
1	Bin	<b>B-1150SS</b>	2A3602G01	1	1					
		<b>B-1300SS</b>	2A3064G01	1	1					
		<b>B-1500SS</b>	2A3621G01	1	1					
		<b>B-1650SS</b>	2A3088G01	1	1					
2	Top Kit	<b>B-1150SS</b>	2A3424G01	1	1					
		<b>B-1300SS</b>	2A3070G01	1	-					
			2A3424G01		1					
<b>B-1500SS</b> <b>B-1650SS</b>	2A3248G01	1	1							
3	Sliding Door		2A3079-01	2	2					
4	Drain Cap		322015-01	1	1					

## B. Snout Assembly

**B-1150SS, B-1300SS, B-1500SS, B-1650SS**

P-5 to G-5

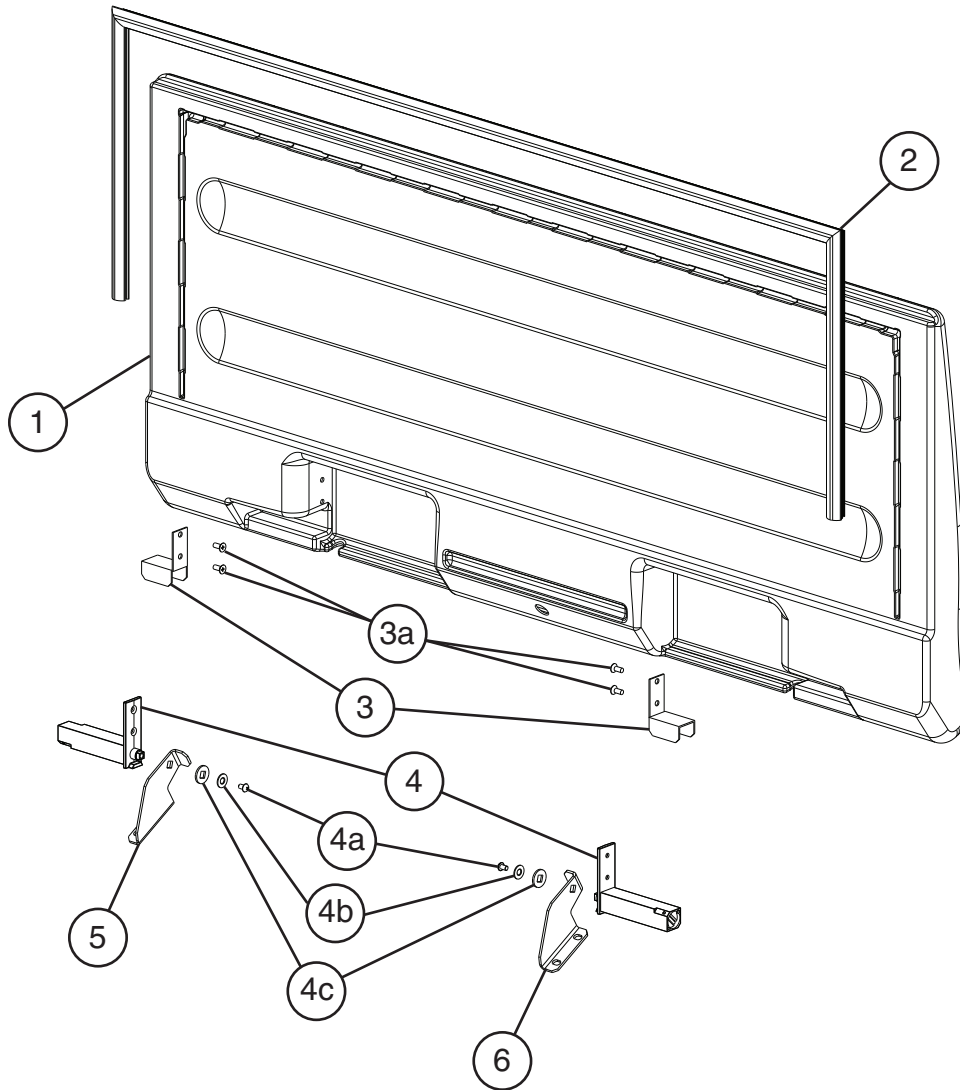


Title: B. Snout Assembly		Model: B-1150SS, B-1300SS, B-1500SS, B-1650SS		Required Number								
Index No.	Description	Material or Model Number	Part Number	P-5 to Q-5	R-5	R-6	S-5 to U-5 (J)	U-5 (K) to G-5				
1	Left Snout		1A0923-01	1	1	-						
			1A1287-01			1	1					
2	Right Snout		1A0930-01	1	1	-						
			1A1286-01			1	1	1				
3	Truss Head Screw	6x20 SS	4A3454-02	14	14	14	14	14				
4	Snout Bottom (A)		1A0925-01	1	1	1	1	1				
5	Snout Bottom (B)		1A0931-01	1	1	1	1	1				
6	Snout Top Assembly		2A3069G01	1	-							
			2A3585G01		1	-						
			2A4024G01			1	-					
			2A4024G02				1	1				
7	Round Vinyl Cap		4A3498-01	8	8	8	8	8				
8	Baffle		2A3073-01	1	1	-						
			2A4030-01			1	1	-				
			2A5390-01					1				
9	Left Side Cover		3A3080-01	1	1	1	1	1				
10	Right Side Cover		3A3091-01	1	1	1	1	1				

### C. Door Assembly

**B-1150SS, B-1300SS, B-1500SS, B-1650SS**

P-5 to G-5

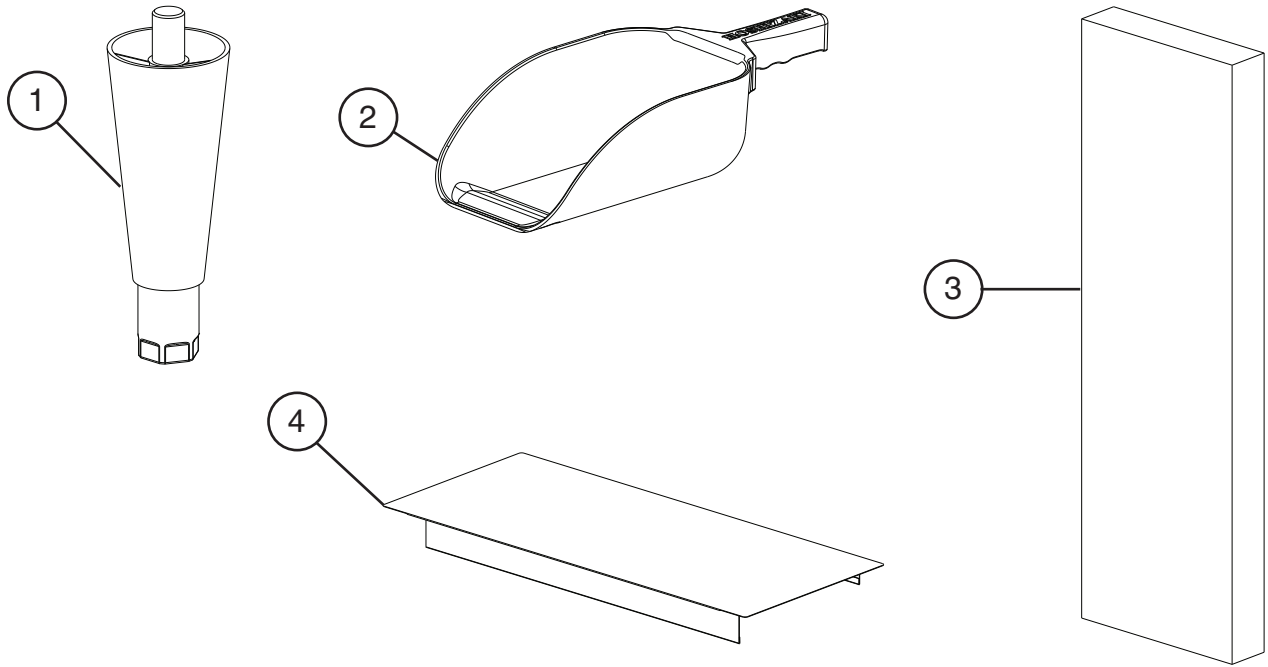


Title: C. Door Assembly    Model: Model: B-1150SS, B-1300SS, B-1500SS, B-1650SS												
Index No.	Description	Material or Model Number	Part Number	Required Number								
				P-5 to G-5								
1	Door		1A0926G01	1								
2	Door Gasket	5x12 SS	3A3330-01	1								
3	Hinge Support		4A3803-01	2								
3a	Countersunk Screw	5x12 SS	4A2894-01	4								
4	Hinge		4A3360-01	2								
4a	Truss Head Screw	M6 SS	4A3360F02	2								
4b	Tooth Washer	M4	4A3360F03	2								
4c	Washer		4A3361-01	2								
5	Left Hinge Bracket		3A3089-01	1								
6	Right Hinge Bracket		3A3090-01	1								

## D. Accessories & Options

**B-1150SS, B-1300SS, B-1500SS, B-1650SS**

P-5 to G-5



Title: D. Accessories & Options Model: B-1150SS, B-1300SS, B-1500SS, B-1650SS											
Index No.	Description	Material or Model Number	Part Number	Required Number							
				P-5 to Q-5	R-5 to G-5						
<b>Accessories</b>											
1	Leg-Box Of 4		4A0390-01	1	1						
2	Scoop		4A2246-01	1	1						
3	Snout Gasket		4A3474-01	1	1						
<b>Options</b>											
4	Top Kit Cover		3A3197G01	1	-						
		HS-2111	4A3908A01		1						