



# HOSHIZAKI

---

## Instruction Manual

### Ice Storage Bin

#### Models

B-1150SS

B-1300SS

B-1500SS

B-1650SS



[hoshizakiamerica.com](http://hoshizakiamerica.com)

Issued: 2-15-2005  
Revised: 4-10-2018

**⚠ WARNING**

Only qualified service technicians should install and service the ice storage bin. To obtain the name and phone number of your local Hoshizaki Certified Service Representative, visit [www.hoshizaki.com](http://www.hoshizaki.com). No installation or service should be undertaken until the technician has thoroughly read this Instruction Manual. Likewise, the owner/manager should not proceed to use the ice storage bin until the installer has instructed them on its proper use. Failure to install, use, and maintain the ice storage bin in accordance with this manual will adversely affect safety, performance, component life, and warranty coverage and may result in costly water damage. Proper installation is the responsibility of the installer. Product failure or property damage due to improper installation is not covered under warranty.

Hoshizaki provides this manual primarily to assist qualified service technicians in the installation, maintenance, and service of the ice storage bin.

Should the reader have any questions or concerns which have not been satisfactorily addressed, please call, send an e-mail message, or write to the Hoshizaki Technical Support Department for assistance.

Phone: 1-800-233-1940; (770) 487-2331

Fax: 1-800-843-1056; (770) 487-3360

E-mail: [techsupport@hoshizaki.com](mailto:techsupport@hoshizaki.com)

**HOSHIZAKI AMERICA, INC.**

618 Highway 74 South

Peachtree City, GA 30269

Attn: Hoshizaki Technical Support Department

**NOTE:** To expedite assistance, all correspondence/communication **MUST** include the following information:

- Model Number \_\_\_\_\_
- Serial Number \_\_\_\_\_
- Complete and detailed explanation of the problem.

## ***IMPORTANT***

Read this manual carefully before installing and using the ice storage bin. Observe the warnings and guidelines contained in this manual, as they provide essential information for the continued safe use and maintenance of the ice storage bin. Retain this manual for future reference.

## **CONTENTS**

Important Safety Information .....	4
I. Specifications.....	6
A. Dimensions/Connections .....	6
II. Installation and Operating Instructions .....	7
A. Location .....	7
B. Checks Before Installation.....	7
C. Setup.....	8
D. Drain Connection .....	10
E. Final Checklist.....	11
F. Usage Instructions .....	12
III. Maintenance .....	15
A. Maintenance Schedule.....	15
B. Cleaning and Sanitizing Instructions .....	15
IV. Preparing the Ice Storage Bin for Periods of Non-Use.....	17

---

## Important Safety Information

Throughout this manual, notices appear to highlight attention to situations that can result in death, serious injury, and damage to the ice storage bin or property.

**⚠ WARNING** Indicates a hazardous situation that can result in death or serious injury.

**NOTICE** Indicates a situation that can result in damage to the ice storage bin or property.

**IMPORTANT** Indicates important information regarding the installation, use, and care of the ice storage bin.

### **⚠ WARNING**

Use the ice storage bin only in the capacity for which it has been expressly conceived. Any other use is improper and therefore dangerous. The manufacturer cannot be held responsible for injury or damage resulting from improper, incorrect and unreasonable use. Failure to install, use, and maintain the ice storage bin in accordance with this manual will adversely affect safety, performance, component life and warranty coverage, and may result in costly water damage.

**To reduce the risk of death, electric shock, serious injury, or fire, follow basic precautions including the following:**

- Allow only qualified service technicians to install and service the ice storage bin.
- Install the ice storage bin in accordance with applicable national, state, and local codes and regulation requirements.
- Do not make any alterations to the ice storage bin. Alterations can result in serious injury, fire, or damage.
- The ice storage bin is not intended for use by persons (including children) with reduced physical, sensory or mental capabilities, or lack of experience and knowledge, unless a person responsible for their safety has provided supervision and instruction concerning use of the ice storage bin.
- Children should be properly supervised around the ice storage bin.
- Do not climb, stand or hang on the ice storage bin, or allow children or animals to do so. Serious injury or damage to the ice storage bin can result.
- Keep the area around the ice storage bin clean. Dirt, dust, or insects in the ice storage bin can cause harm to individuals or damage to the ice storage bin.

## ***NOTICE***

- Follow the drain connection and maintenance instructions carefully to reduce the risk of costly water damage.
- In areas where water damage is a concern, install the ice storage bin in a contained area with a floor drain.
- Install the ice dispenser in a location where ambient temperature stays above freezing. Normal operating ambient temperature must be between 45°F to 100°F (7°C to 38°C).
- The ice storage bin is for ice use only. Do not store anything else in the ice storage bin.



---

## II. Installation and Operating Instructions

### **⚠ WARNING**

- The ice storage bin must be installed in accordance with applicable national, state, and local codes and regulations.
- Failure to install, use, and maintain the ice storage bin in accordance with this manual will adversely affect safety, performance, component life, and warranty coverage and may result in costly water damage.
- **CHOKING HAZARD:** Ensure that all components, fasteners, and thumbscrews are securely in place after installation. Verify that none have fallen into the ice storage bin.

### A. Location

#### **NOTICE**

The ice storage bin is not intended for outdoor use. Normal operating ambient temperature must be between 45°F to 100°F (7°C to 38°C). Use of the ice storage bin for extended periods outside of these temperature ranges may affect ice storage bin performance.

- The ice storage bin should not be located next to ovens, grills, or other high heat producing equipment.
- The ice storage bin should not be located in an area that receives direct sunlight.
- Allow 6" (15 cm) clearance at rear and sides for ease of maintenance and/or service should they be required. Ensure that the icemaker's clearance requirements are met.
- The location should provide a firm and level foundation for the equipment.

### B. Checks Before Installation

#### **NOTICE**

The ice storage bin is designed and intended for use in combination with a Hoshizaki modular or stackable icemaker. If used with another manufacturer's icemaker, care must be taken to properly support and secure the icemaker in accordance with the manufacturer's recommendations.

- Visually inspect the exterior of the shipping container and immediately report any damage to the carrier. Upon opening the container, any concealed damage should also be immediately reported to the carrier.
- Remove the shipping carton, tape, and packing material.
- Remove the package containing the accessories.
- Remove the protective plastic film from the panels. If the ice storage bin is exposed to the sun or to heat, remove the film after the ice storage bin cools.

## C. Setup

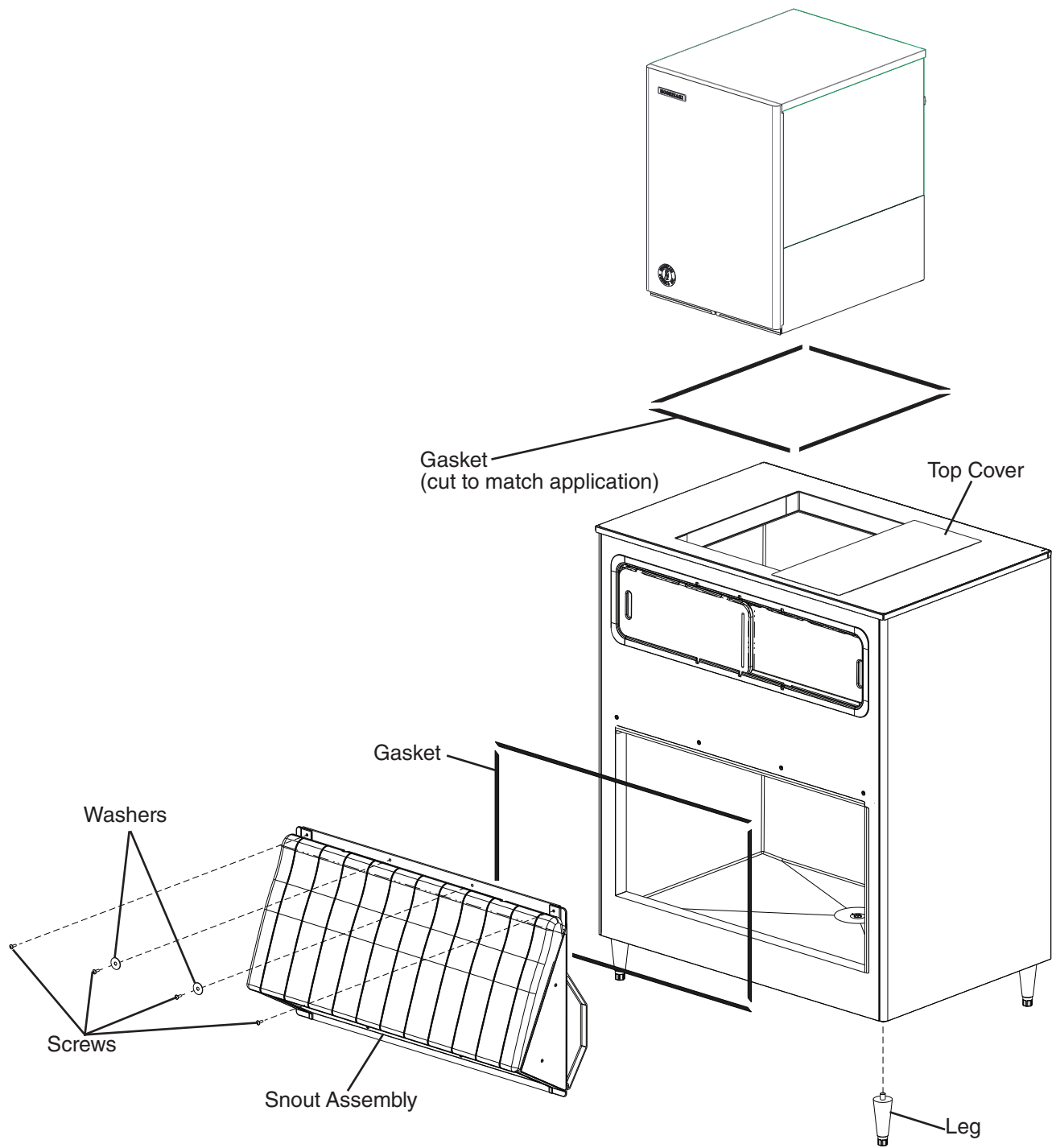
See Fig. 1

<b>⚠ WARNING</b>
------------------

The installer must ensure the icemaker is compatible with the ice storage bin.
--

- 1) Remove the two bolts holding the ice storage bin to the pallet.
- 2) Attach the 4 adjustable legs to the bottom of the ice storage bin. Be careful not to damage the panels when installing the ice storage bin.
- 3) Position the ice storage bin in the selected permanent site.
- 4) Adjust the legs on the ice storage bin in both the left-to-right and front-to-rear directions to level the ice storage bin. **NOTICE! It is especially important to level the ice storage bin in both left-to-right and front-to-rear directions. If it is not level, small or irregular shaped cubes may be produced or water may overflow into the ice storage bin.**
- 5) A top cover is provided. Use and position as necessary depending on your application. If required, install an adapter kit or top kit. Contact your local Hoshizaki distributor for recommendations.
- 6) Remove the snout assembly from the box.
- 7) Remove any packaging from the snout assembly.
- 8) Cut the included gasket material to match the perimeter of the snout assembly where it mates with the ice storage bin, then apply it to the perimeter of the snout assembly. Miter and seal each corner with food-grade silicone.
- 9) Position the snout assembly onto the ice storage bin by first placing the bottom of the assembly into the lower opening on the ice storage bin's front panel and then rotating the top towards the ice storage bin.
- 10) Use the 4 screws and 2 washers (included) to secure the snout assembly to the ice storage bin. Place the 2 washers in position as shown in Fig. 1.
- 11) Clean and wipe the interior of the ice storage bin and snout assembly with a clean cloth.
- 12) Cut the included gasket material to match the perimeter of the icemaker(s) to be installed, then apply it to the top of the ice storage bin where the icemaker(s) will be installed. Miter and seal each corner with food-grade silicone.
- 13) Place the icemaker(s) on top of the ice storage bin.
- 14) Follow the setup instructions in the icemaker instruction manual to complete icemaker installation.





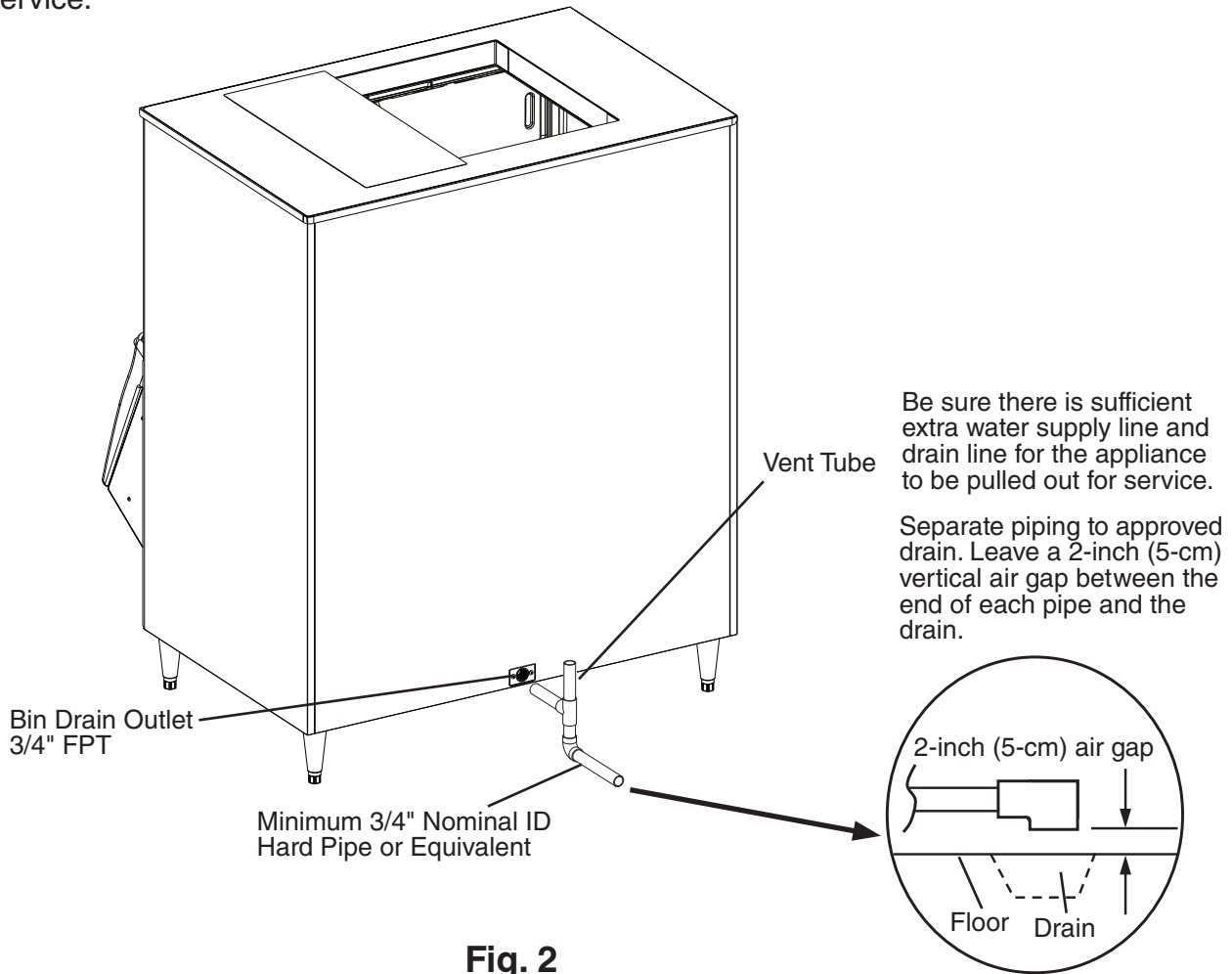
**Fig. 1**

**D. Drain Connection**  
**See Fig. 2**

<b>⚠ WARNING</b>
Drain connection must be installed in accordance with applicable national, state, and local regulations.

Ice Storage Bin Drain Outlet	Minimum Ice Storage Bin Drain Line Size
3/4" Female Pipe Thread (FPT)	3/4" Nominal ID Hard Pipe or Equivalent

- A plumbing permit and the services of a licensed plumber may be required in some areas.
- The ice storage bin drain line must be run separately from the icemaker drain line and the water-cooled condenser drain line (if applicable).
- Drain lines must have 1/4" fall per foot (2 cm per 1 m) on horizontal runs to get a good flow. A vented tee connection is also required for proper flow.
- Drain lines should not be piped directly to the sewer system. An air gap of a minimum of 2 vertical inches (5 cm) should be between the end of the drain pipe from the ice storage bin and the floor drain.
- Be sure there is sufficient extra drain line for the ice storage bin to be pulled out for service.



**Fig. 2**

## E. Final Checklist

<b>⚠ WARNING</b>
------------------

<p><b>CHOKING HAZARD:</b> Ensure that all components, fasteners, and thumbscrews are securely in place after installation. Verify that nothing has fallen into the ice storage bin.</p>
---

- 1) Is the ice storage bin level?
- 2) Is the ice storage bin in a site where the ambient temperature is within 45°F to 100°F (7°C to 38°C) all year around?
- 3) Is there at least 6" (15 cm) clearance at rear and sides of the ice storage bin? Have the icemaker clearance requirements been met?
- 4) Have the shipping carton, tape, and packing material been removed from the ice storage bin?
- 5) Has the snout been installed?
- 6) Is the drain line sized as specified?
- 7) Has the ice storage bin been cleaned and wiped with a clean cloth?
- 8) Are all components, fasteners, and thumbscrews securely in place?
- 9) Has the end user been given the instruction manual, and instructed on how to use the ice storage bin and the importance of the recommended periodic maintenance?
- 10) Has the end user been given the contact information of an authorized service agent?
- 11) Has the warranty card been filled out and forwarded to the factory for warranty registration?

## F. Usage Instructions

### 1. Baffle

The baffle prevents ice in the ice storage bin from flowing out onto the floor while the ice storage bin door is open.

#### a) Removal

- 1) Rotate the back edge of the baffle up about 6 in. (15 cm).
- 2) Pull the baffle forward.
- 3) Raise the baffle up to detach.

#### b) Installation

- 1) Place the baffle into the ice storage bin through the snout. Raise the baffle up and engage the two holes on the front edge of the baffle with the two tabs on the upper, inside lip of the snout. See Fig. 3.
- 2) Lower the back edge of the baffle into position.

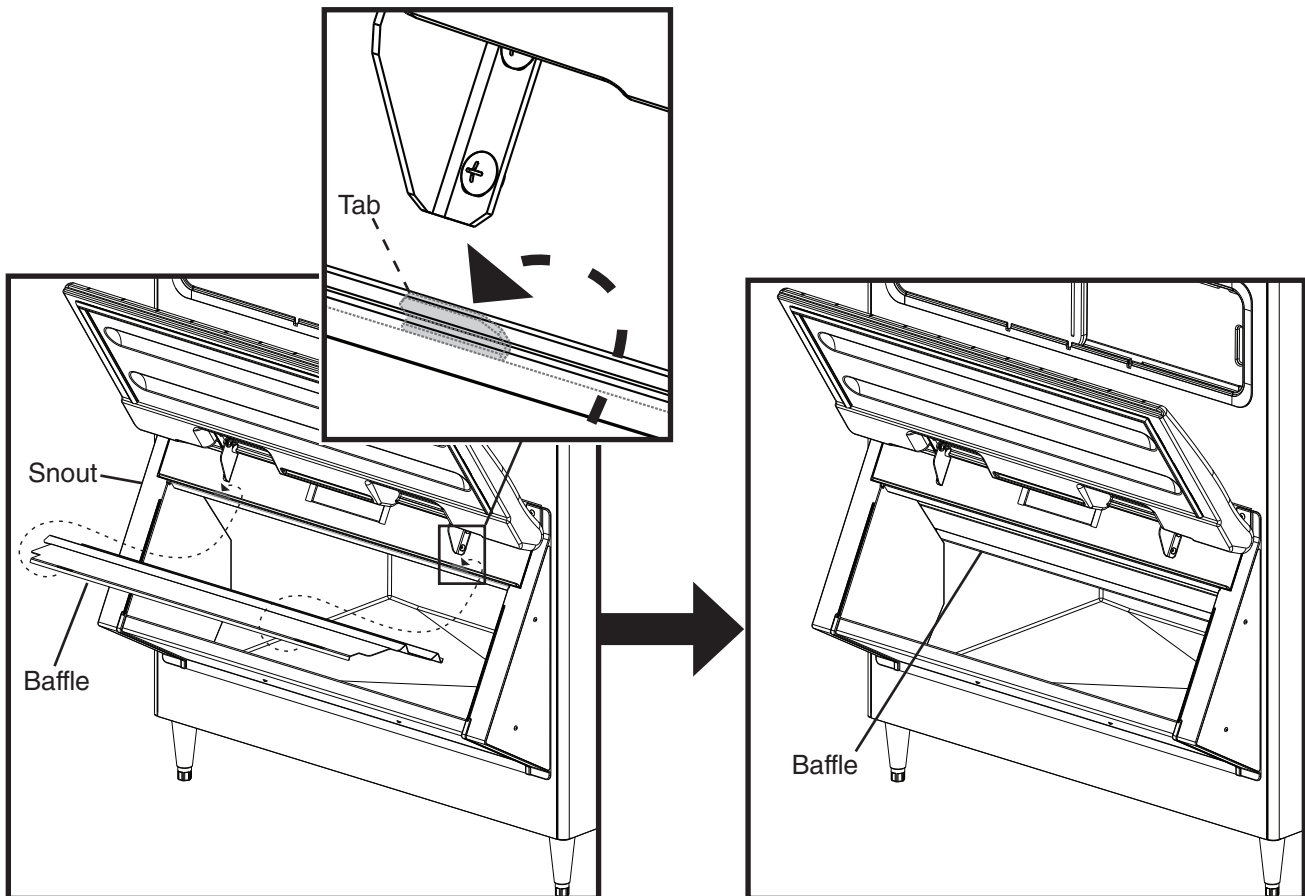


Fig. 3

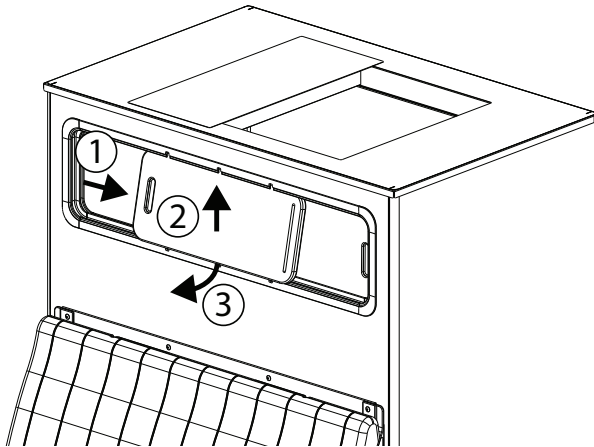
## 2. Sliding Doors

### a) Removal

- 1) Slide the door you want to remove to the middle of the opening. See Figs. 4a and 4b.
- 2) Raise the door up slightly. If it cannot be easily raised, slide it gently back and forth while lifting until it raises.
- 3) Rotate the bottom of the door out for the front door or in for the rear door. Pull the door down slightly and remove.

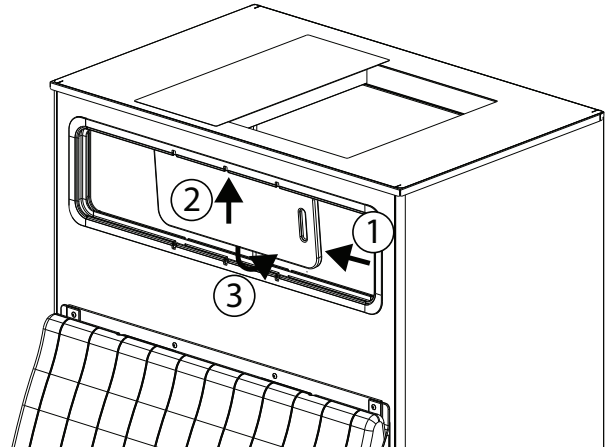
### b) Installation

- 1) There is a vertical ridge on one side of each door. This ridge should face the rear on the front door and the front on the rear door.
- 2) Place the top of the door into the appropriate track in the middle of the upper opening. The top of the door should fit into three keyways.
- 3) Rotate and lower the bottom of the door into the track.



Front Sliding Door Removal

Fig. 4a



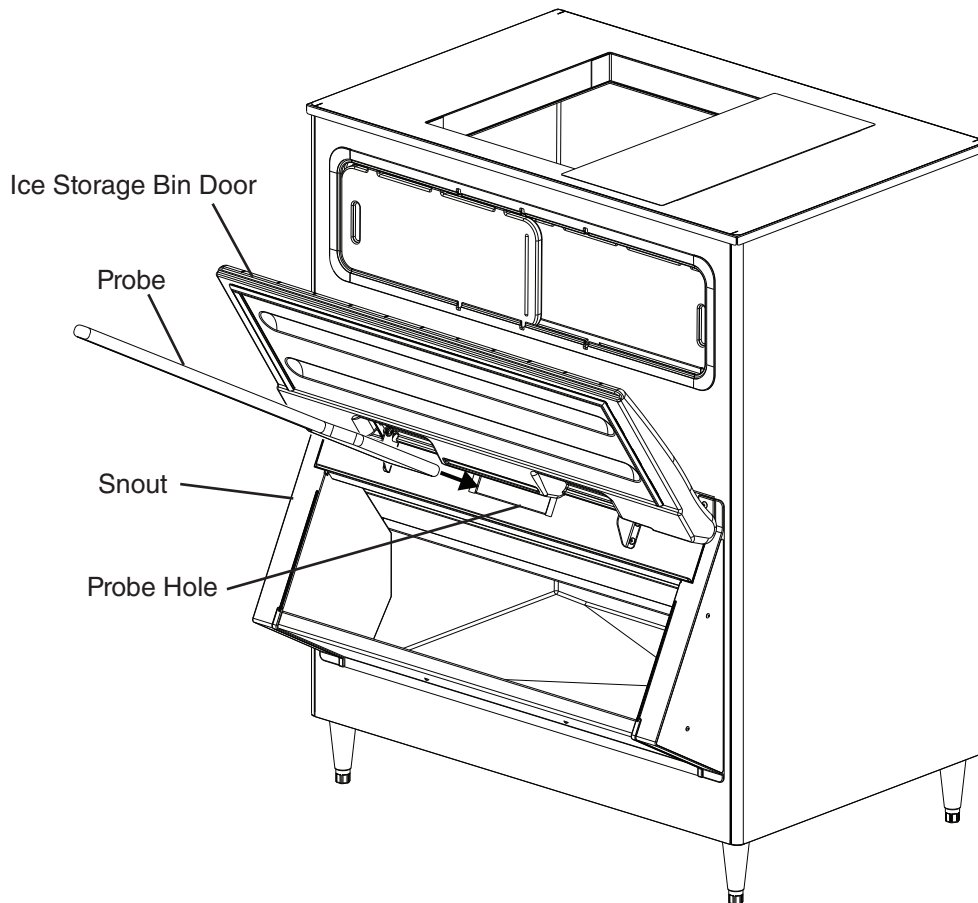
Rear Sliding Door Removal

Fig. 4b

### 3. Probe (Optional Accessory)

The probe is used to break apart ice when it has bridged inside the ice storage bin and will not flow into the snout. To break apart ice, follow the steps below.

- 1) Open the ice storage bin door. See Fig. 5.
- 2) Insert the probe through the hole in the snout.
- 3) Carefully move the probe back and forth until ice falls into the snout.



**Fig. 5**

### III. Maintenance

The ice storage bin must be maintained in accordance with the instruction manual provided. Consult with your local Hoshizaki Certified Service Representative about maintenance service.

#### **⚠ WARNING**

- Only qualified service technicians should service the ice storage bin.
- Turn off the icemaker power supply before servicing.
- **CHOKING HAZARD:** Ensure that all components, fasteners, and thumbscrews are securely in place after any maintenance is done to the ice storage bin. Verify that none have fallen into the ice storage bin.

### A. Maintenance Schedule

The maintenance schedule below is a guideline. More frequent maintenance may be required depending on water quality, the ice storage bin's environment, and local sanitation regulations.

Maintenance Schedule		
Frequency	Area	Task
Monthly	Ice Storage Bin Exterior	Wipe down with a clean, soft cloth. Use a damp cloth containing a neutral cleaner to wipe off oil or dirt build up. Clean any chlorine staining (rust colored spots) using a non-abrasive cleanser.
Yearly	Ice Storage Bin	Clean and sanitize per the instructions provided in this manual. See "III. B. Cleaning and Sanitizing Instructions."

### B. Cleaning and Sanitizing Instructions

The ice storage bin must be cleaned and sanitized at least once a year. More frequent cleaning and sanitizing may be required in some conditions. For icemaker cleaning and sanitizing instructions, see the icemaker instruction manual.

#### **⚠ WARNING**

- To prevent injury to individuals and damage to the ice storage bin, do not use ammonia type cleaners.
- Carefully follow any instructions provided with the bottles of cleaning and sanitizing solution.
- Always wear liquid-proof gloves and goggles to prevent the cleaning and sanitizing solutions from coming into contact with skin or eyes.

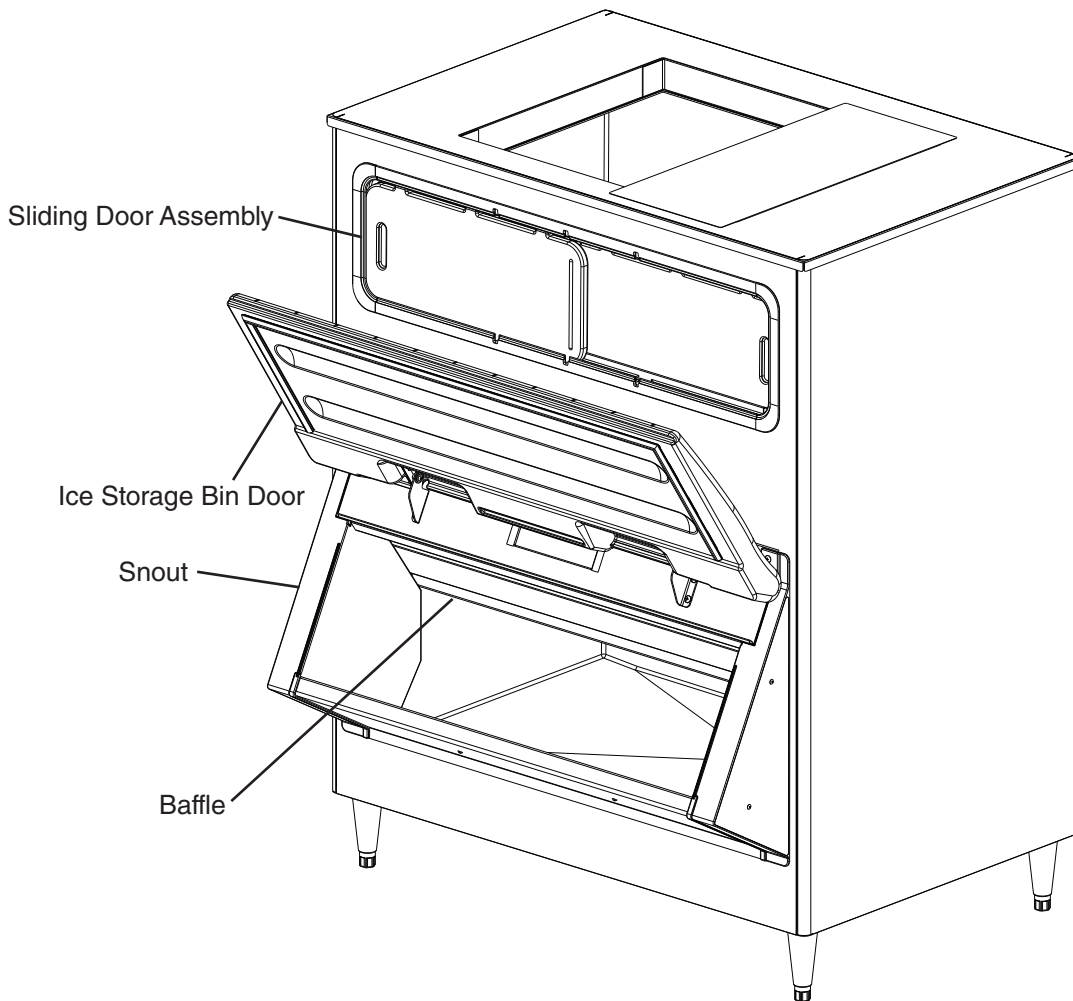
#### 1. Cleaning Procedure

- 1) Turn off the icemaker power supply.
- 2) Remove all ice from the ice storage bin.
- 3) Dilute 5 fl. oz. (148 ml) of Hoshizaki "Scale Away" with 1 gallon (3.8 l) of warm water.

- 4) Scrub the ice storage bin door, the snout, the baffle, the sliding door assembly, and the inside of the ice storage bin using a nylon scouring pad and the cleaning solution from step 3. See Fig. 6.
- 5) Rinse all areas thoroughly with clean water.

## 2. Sanitizing Procedure - Following Cleaning Procedure

- 1) Dilute approximately 0.5 fl. oz. (15 ml or 1 tbs) of a 5.25% sodium hypochlorite solution (chlorine bleach) with 1 gallon (3.8 l) of warm water.
- 2) Wipe down the ice storage bin door, the snout, the baffle, the sliding door assembly, and the inside of the ice storage bin using a clean cloth and the cleaning solution from step 1.
- 3) Rinse all areas thoroughly with clean water.
- 4) Turn on the icemaker power supply.



**Fig. 6**



---

## IV. Preparing the Ice Storage Bin for Periods of Non-Use

<b><i>NOTICE</i></b>
----------------------

When storing the ice storage bin for an extended time or in sub-freezing temperatures, follow the instructions below to prevent damage.
---

- 1) Prepare the icemaker for long storage and turn off the icemaker power supply. See the icemaker instruction manual for details.
- 2) Remove all ice from the ice storage bin.
- 3) Clean the ice storage bin. See "III.B. Cleaning and Sanitizing Instructions."

**HOSHIZAKI AMERICA, INC.**

618 Hwy. 74 South, Peachtree City, GA 30269 USA (P) 770.487.2331 (F) 770.487.3360 [hoshizakiamerica.com](http://hoshizakiamerica.com) 1A4162-011