

85030402

A

B

C

D

1

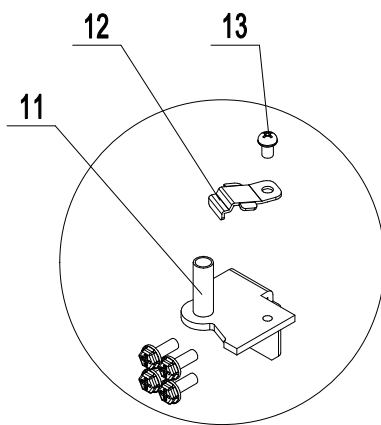
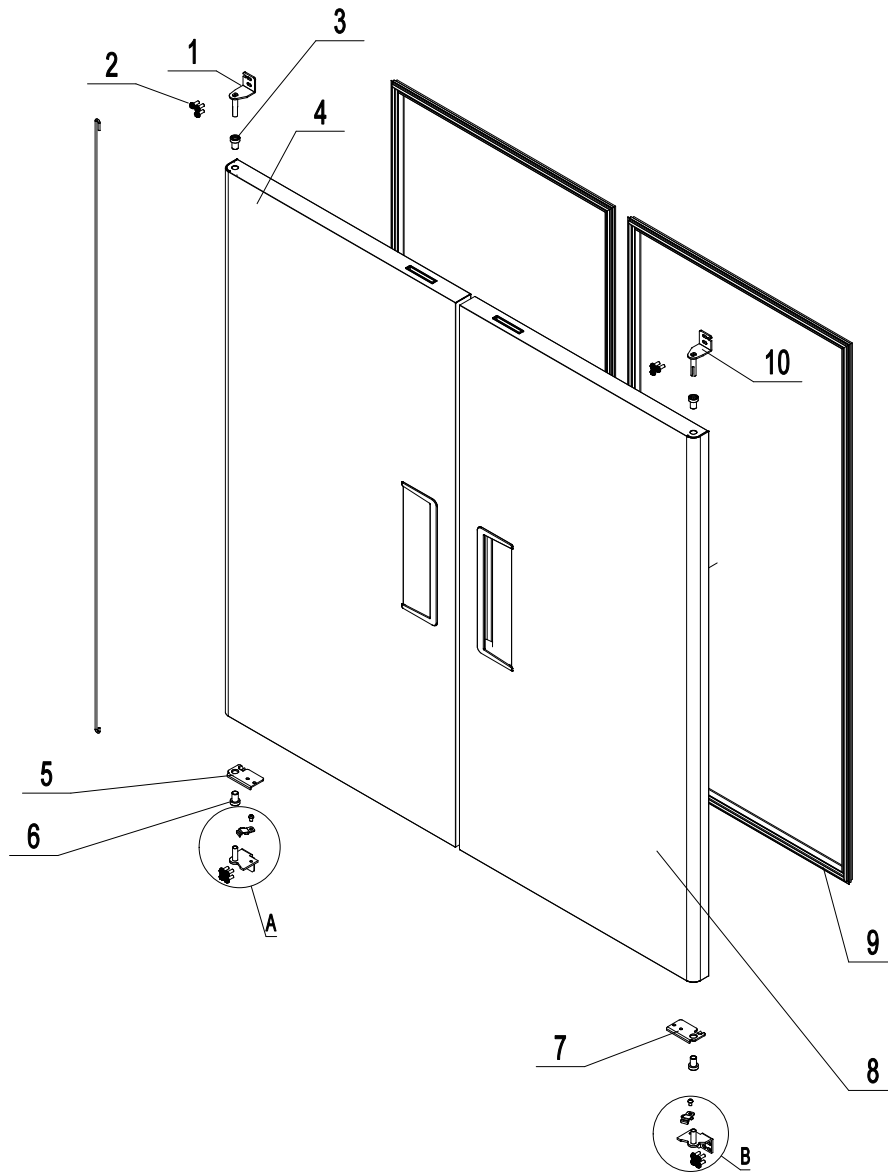
2

3

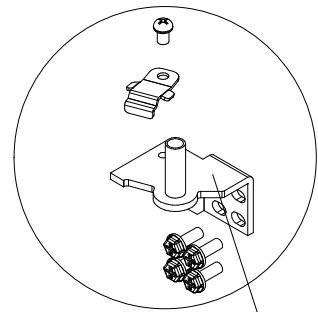
4

5

6



局部放大图A



局部放大图B

Item #	Part #	Quantity	Description
15	W0604401	2	Door Spring Bar
14	W0604024	1	Right - Bottom Hinge
13	B0599270	2	SS Screw M6x8
12	W0604038	2	Door Stopper - Bottom
11	W0604025	1	Left - Bottom Hinge
10	W0604022	1	Right - Top Hinge
9	W0404601	2	Door Gasket
8	85040201	1	Right Door
7	W0604030	1	Door Brake - Right
6	W0409843	2	Door Shaft Sleeve - Bottom
5	W0604031	1	Door Brake - Left
4	85040202	1	Left Door
3	W0409842	2	Door Shaft Sleeve - Top
2	W0409844	12	Screw M6x16
1	W0604023	1	Left - Top Hinge

1

2

3

4

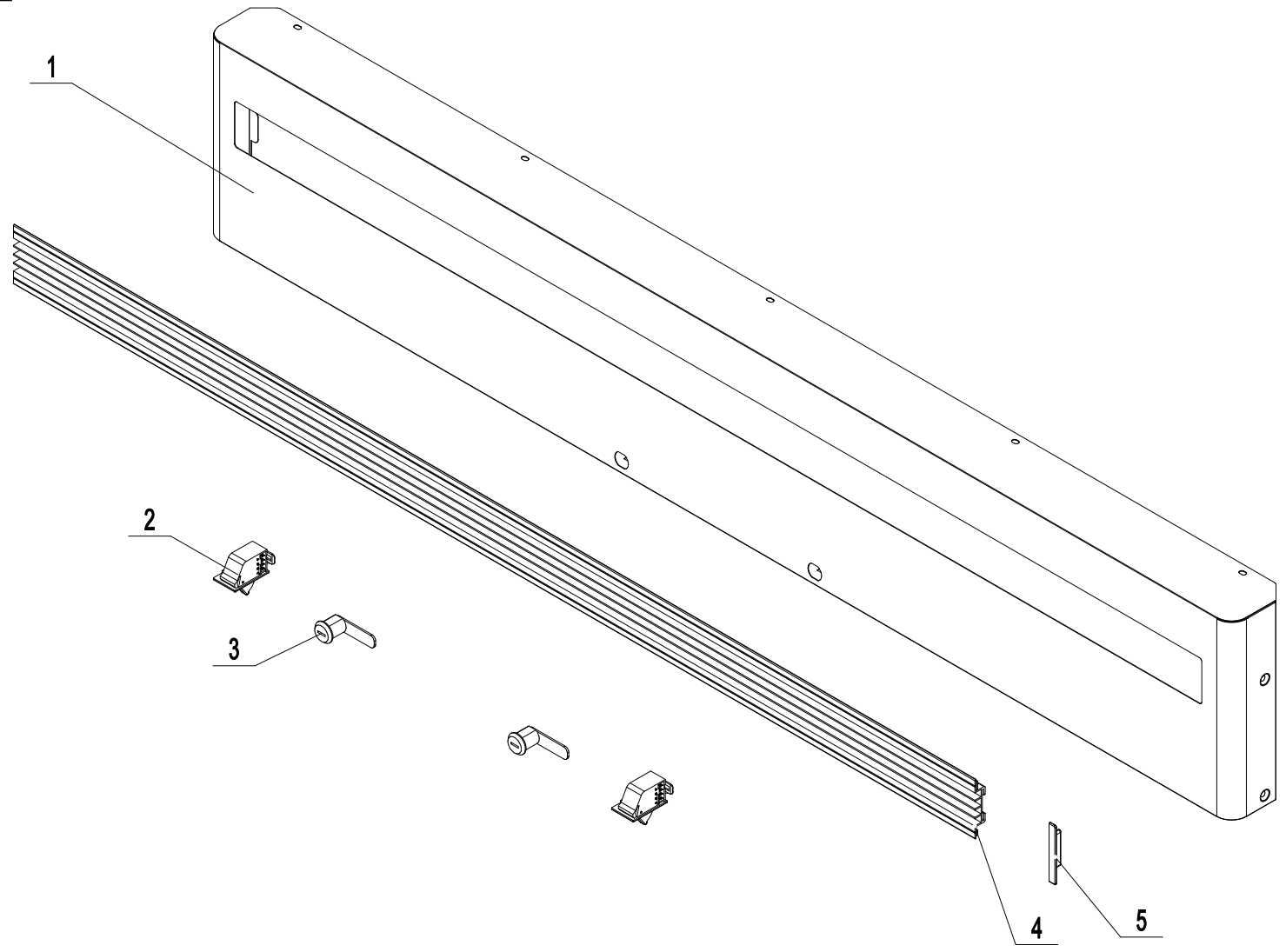
5

6

85030450

A
B
C
D

1 2 3 4 5 6

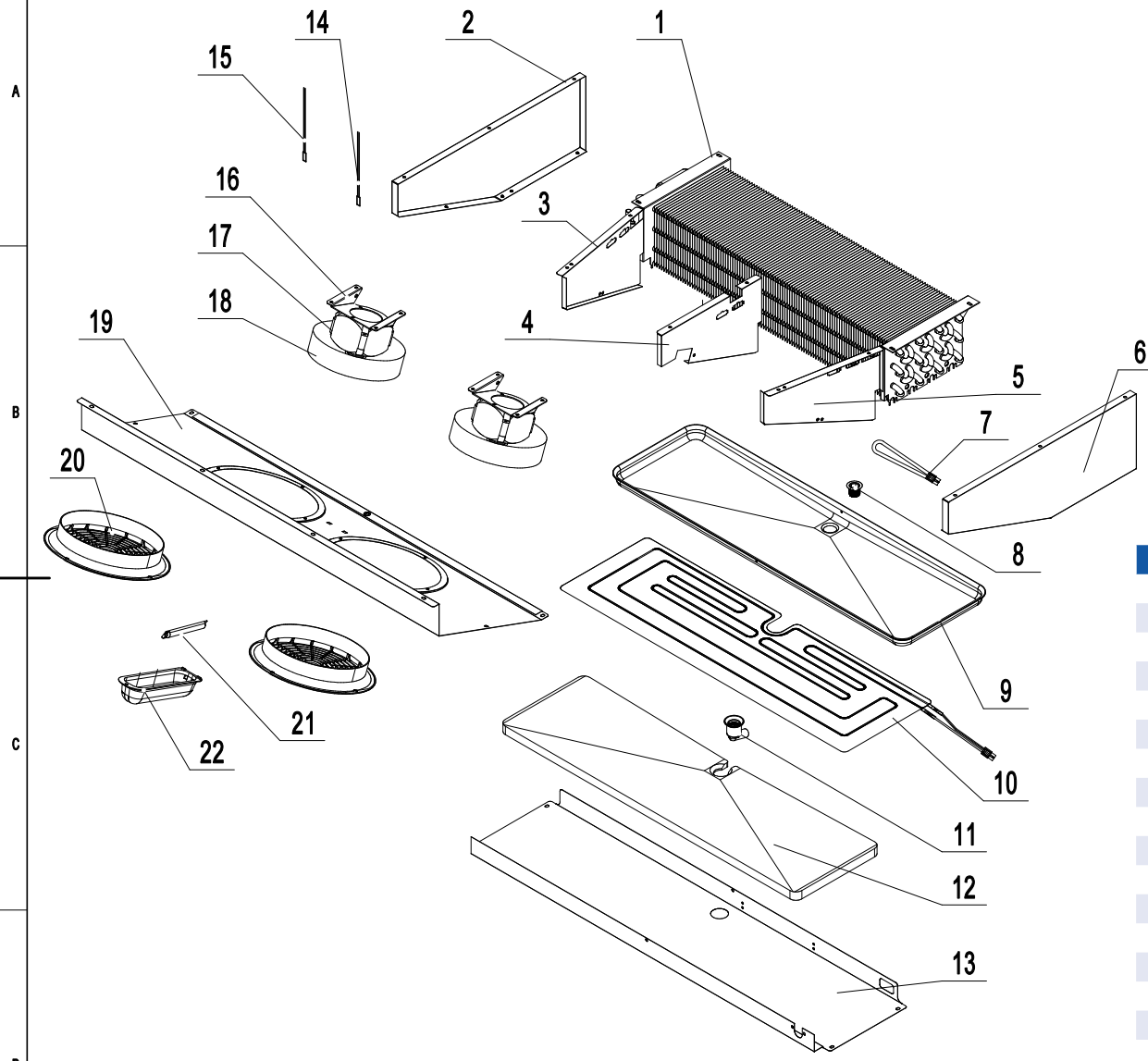


Item #	Part #	Quantity	Description
3	W0604007	2	Lock
2	W0308012	2	Door Switch
1	85031422	1	Top Panel

Item #	Part #	Quantity	Description
5	W0409272	2	Black Grille Clip
4	W0410352	1	Black Grille

1 2 3 4 5 6

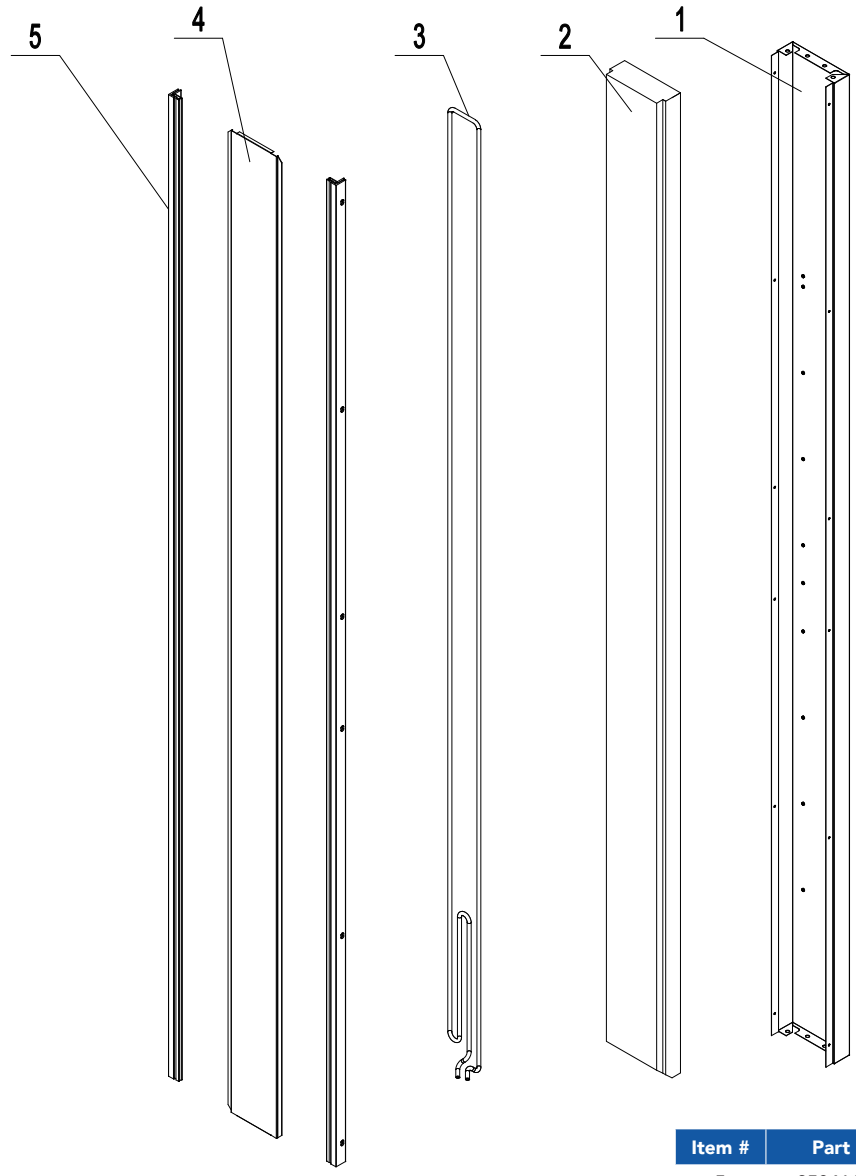
85030451



Item #	Part #	Quantity	Description
22	W0409863	1	Lamp Cover
21	W0304086	1	Lamp
20	W0409080	2	Evap Fan Motor Cover
19	8114120201	1	Evap Front Cover
18	W0301059	2	Evap Fan Blade
17	W0301904	2	Evap Fan Motor
16	80021501	2	Evap Fan Bracket
15	W0302305	1	Evap Temp Probe
14	W0302304	1	Room Temp Probe
13	8114120101	1	Drain Pan Cover
12	W0803012	1	Drain Pan Foam
11	W0409858	1	Drain Hose Connector A
10	W0310078	1	Drain Pan Heater
9	80022003	1	Drain Pan
8	W0409859	1	Drain Hose Connector B
7	W0310068	1	Drain Hose Heater
6	80021207	1	Evap Right Cover
5	80021204	1	Right Air Lane Cover
4	80021205	1	Middle Air Lane Cover
3	80021203	1	Left Air Lane Cover
2	80021206	1	Evap Left Cover
1	W0202111	1	Evaporator

85030405

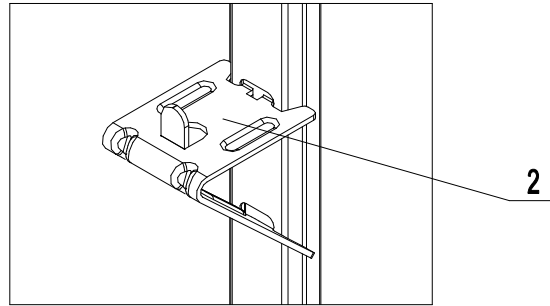
A
B
C
D



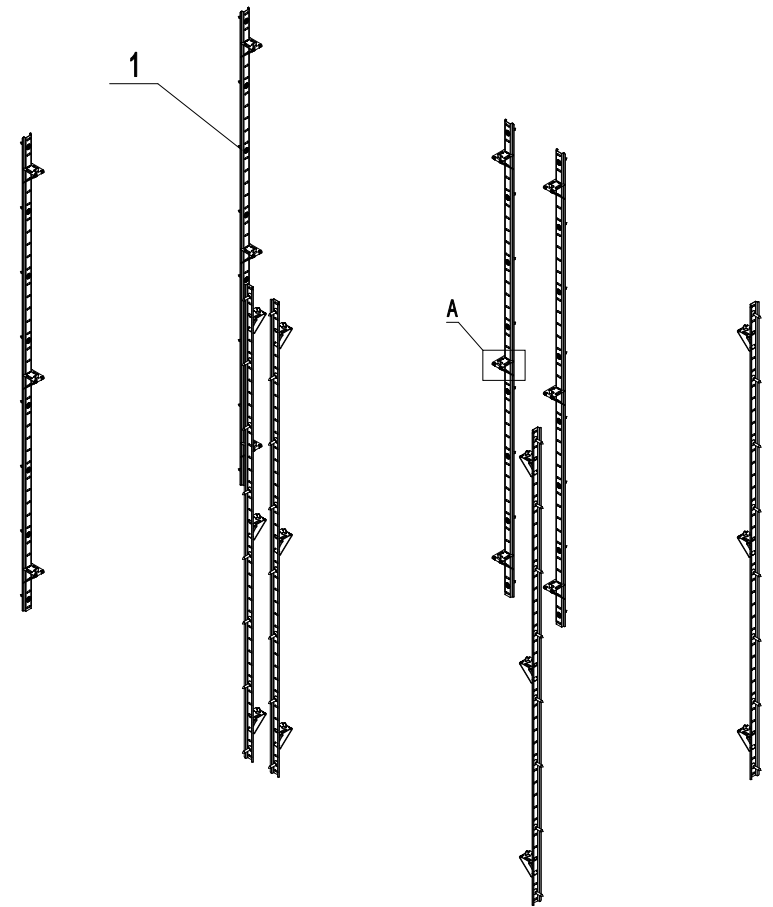
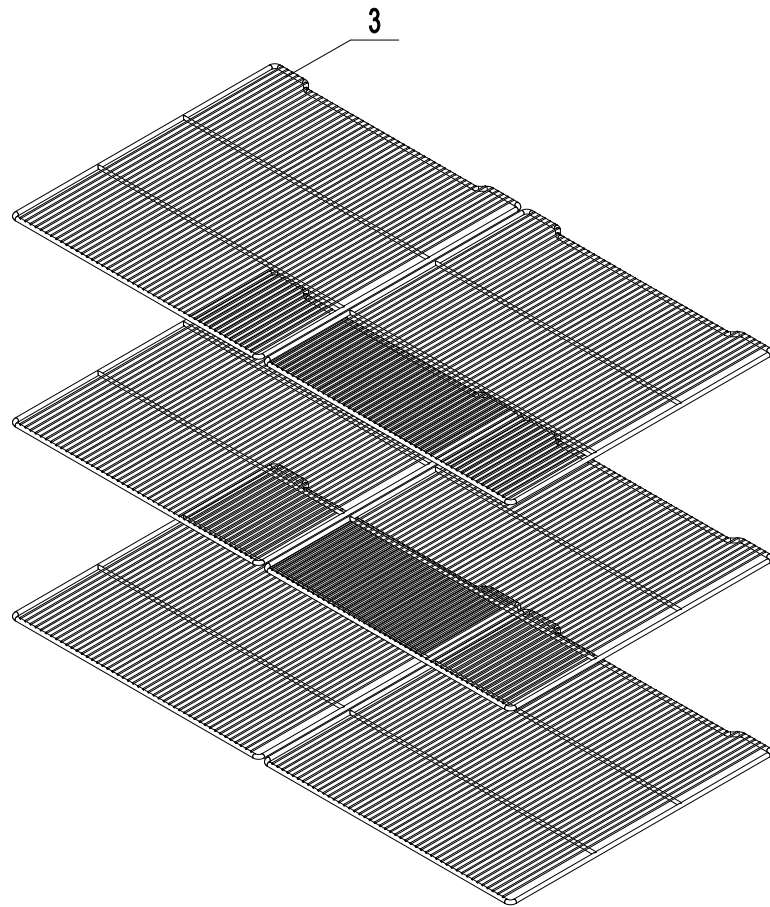
Item #	Part #	Quantity	Description
5	85041111	1	Mullion Front Cover
4	W0410976	2	Mullion Plastic Connector
3	W0310093	1	Mullion Heater
2	W0499086	1	Mullion Foam
1	85041110	1	Mullion Back Cover

1 2 3 4 5 6

85030452



局部放大图A



Item #	Part #	Quantity	Description
3	W0402387	6	Shelf
2	66490313	24	Shelf Support Clip
1	80037410	8	Pilaster For Shelf

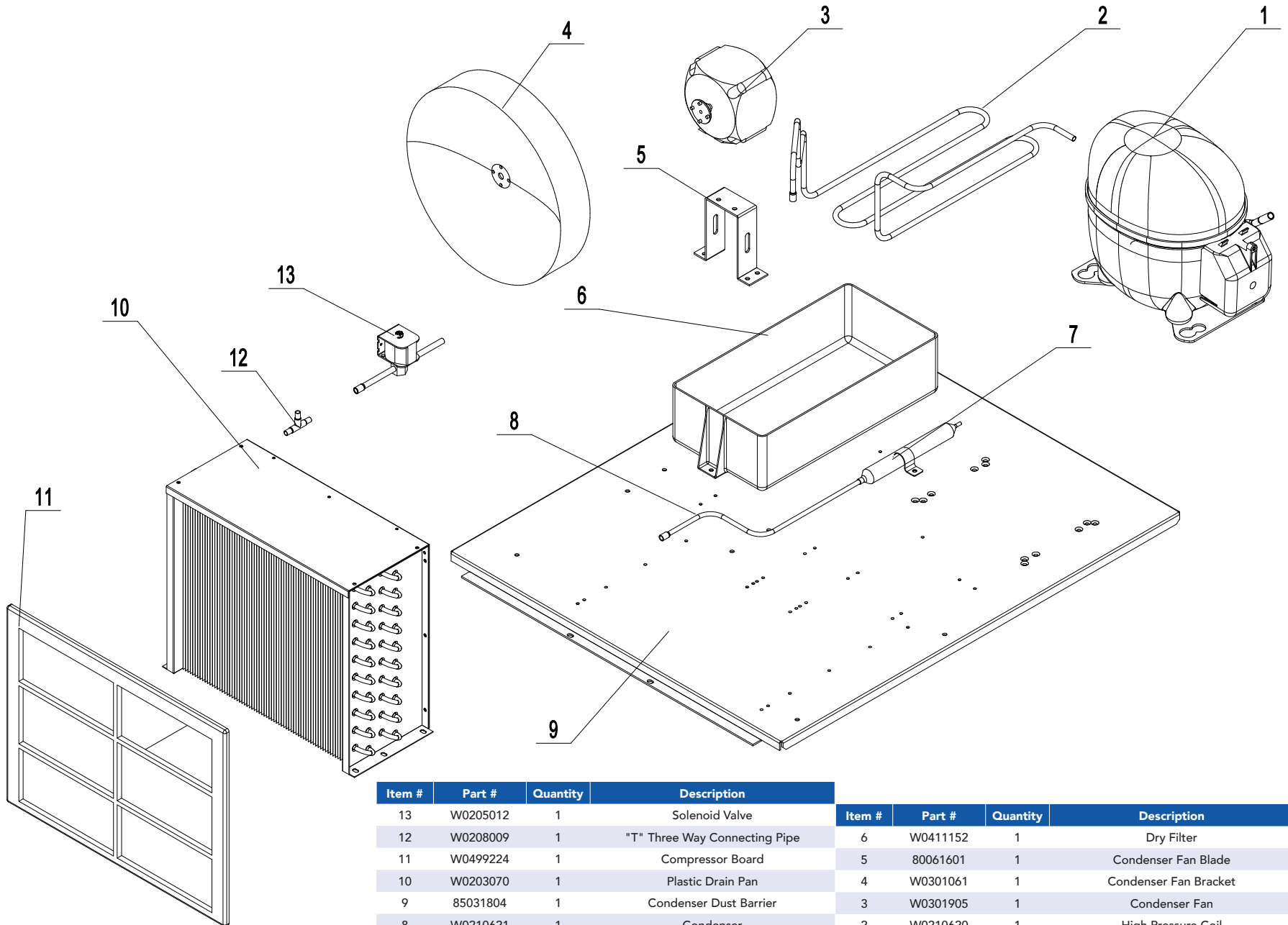
85030453

A

B

C

D



Item #	Part #	Quantity	Description	Item #	Part #	Quantity	Description
13	W0205012	1	Solenoid Valve	6	W0411152	1	Dry Filter
12	W0208009	1	"T" Three Way Connecting Pipe	5	80061601	1	Condenser Fan Blade
11	W0499224	1	Compressor Board	4	W0301061	1	Condenser Fan Bracket
10	W0203070	1	Plastic Drain Pan	3	W0301905	1	Condenser Fan
9	85031804	1	Condenser Dust Barrier	2	W0210620	1	High Pressure Coil
8	W0210621	1	Condenser	1	W0201156	1	Compressor
7	W0204101	1	Connecting Coil to Condenser				

1

2

3

4

5

6