









# SPLASH MOUNTED FAUCETS

<p><b>Splash Mount Swivel Gooseneck</b></p>  <p>Single Hole</p> <p><b>K-121</b></p>	<p><b>AC/DC powered Hands-Free Gooseneck</b></p> <p><b>AC &amp; Battery Operated!</b></p>  <p>Single Hole</p> <p><b>K-175</b></p>	<p><b>3-1/2" Gooseneck</b></p>  <p>4" O.C.</p> <p><b>K-59</b></p>	<p><b>HEAVY DUTY Gooseneck</b></p>  <p>4" O.C.</p> <p><b>K-69</b></p>
<p><b>6" Extended Spout</b></p>  <p>4" O.C.</p> <p><b>K-123</b></p>	<p><b>6" Extended Spout with Wrist Handles</b></p>  <p>4" O.C.</p> <p><b>K-206</b></p>	<p><b>12" Swing Spout</b></p> <p>8" O.C.</p>  <p><b>K-1</b></p>	<p><b>14" Swing Spout</b></p> <p>8" O.C.</p>  <p><b>K-11</b></p>
<p><b>8" Swing Spout</b></p> <p>8" O.C.</p>  <p><b>K-101</b></p>	<p><b>HEAVY DUTY 14" Swing Spout</b></p> <p>8" O.C.</p>  <p><b>K-105</b></p>	<p><b>HEAVY DUTY 14" Swing Spout (T&amp;S)</b></p> <p>8" O.C.</p>  <p><b>K-111</b></p>	<p><b>HEAVY DUTY 12" Swing Spout (T&amp;S)</b></p> <p>8" O.C.</p>  <p><b>K-112</b></p>
<p><b>16" Swing Spout</b></p> <p>8" O.C.</p>  <p><b>K-119</b></p>	<p><b>3-1/2" Gooseneck Spout</b></p> <p>8" O.C.</p>  <p><b>K-159</b></p>	<p><b>6" D-Style Extended Spout</b></p> <p>8" O.C.</p>  <p><b>K-160</b></p>	<p><b>HEAVY DUTY Extra Long Faucet</b></p>  <p><b>K-211</b></p>
<p><b>HEAVY DUTY Pre-Rinse Faucet</b></p> <p><b>DTA-53</b></p> <div style="border: 1px solid black; padding: 5px;"> <p><b>K-114</b> Replacement Spray Head &amp; Handle</p> </div> 	<p><b>HEAVY DUTY Pre-Rinse Faucet (T&amp;S)</b></p> <p><b>K-116</b></p> <div style="border: 1px solid black; padding: 5px;"> <p><b>K-114</b> Replacement Spray Head &amp; Handle</p> </div> 	<p><b>12" Swing Spout Add-A-Faucet</b></p>  <p><b>K-117</b></p>	<p><b>Service Faucet</b></p> <p>Does not meet Federal Lead Free Standards as it is not intended for potable water.</p>  <p><b>K-240</b></p>

# SPLASH MOUNTED FAUCETS ACCESSORIES

<p><b>Eye Wash Attachment*</b></p>  <p><b>K-170</b></p>	<p><b>Wrist handle Gooseneck</b></p>  <p><b>K-316</b></p> <p><b>Wrist Handles Only</b></p>  <p><b>K-316-LU</b></p>	<p><b>Hands-Free Wand</b></p>  <p><b>K-400</b></p>	<p><b>Low Flow Aerator</b></p>  <p><b>K-08</b></p>
<p><b>Repair Kit For K-1, K-11, K-101, K-112, K-119 &amp; K-211</b></p>  <p>Repair Kit can only be used on faucets purchased after 12/03</p> <p><b>K-00</b></p>	<p><b>Faucet Wall Mounting Bracket</b></p>  <p><b>K-30</b></p>	<p><b>Faucet Mounting Kit K-1, K-11, K-101, K-105, K-112, K-119 &amp; K-211</b></p>  <p><b>K-06</b></p>	

**\*IMPORTANT:** Faucet-mounted eyewashes require two motions to operate (turn on water, pull knob to activate eyewash flow). Therefore, **Advance Tabco does not believe that these units meet the provisions of ANSI Z358.1-2004 as eyewash units.** These units are intended solely as supplemental units in addition to dedicated, plumbed eyewash equipment installed in the workplace.

Faucet-mounted eyewashes should be used with cold or warm water only. Use of hot water might cause scalding. Eyewash Faucets not to be used with Electronic Faucets.

MODEL #	Description	A LENGTH	B HEIGHT	C	D	On Center Dimensions
K-00	Repair Kit For K-1, K-11, K-101, K-119 & 211	N/A	N/A	N/A	N/A	N/A
K-06	Faucet Mt. Kit for K-1, K-11, K-101, K-119 & K-211	N/A	N/A	N/A	N/A	N/A
K-1	12" Swing Spout Faucet	12"	5"	2 1/2"	14"	8" O.C.
K-11	14" Swing Spout Faucet	14"	5 1/2"	3"	16"	8" O.C.
K-59	3 1/2" Gooseneck Faucet	3 1/2"	8"	5"	6"	4" O.C.
K-60	3 1/2" Gooseneck Faucet	3 1/2"	8 1/4"	5 1/2"	4 1/2"	4" O.C.
K-69	Heavy Duty Gooseneck Faucet	3"	5"	2 3/4"	5 1/2"	4" O.C.
K-101	8" Swing Spout Faucet	8"	4 1/4"	2 1/4"	10"	8" O.C.
K-105	Heavy Duty 14" Swing Spout Faucet	14"	5"	3"	16"	8" O.C.
K-111	Heavy Duty 14" Swing Spout (T&S) Faucet	14"	8 1/4"	5 1/2"	16 1/2"	8" O.C.
K-112	Heavy Duty 12" Swing Spout Faucet	12"	5"	3"	14"	8" O.C.
K-116	Heavy Duty Pre-Rinse (T&S) Faucet	13"	34 1/2"	13 1/2"	15 3/8"	8" O.C.
K-117	Add-A-Faucet with 12" Spout Faucet	12"	N/A	N/A	N/A	N/A
K-119	16" Swing Spout Faucet	16"	6"	4"	18 1/2"	8" O.C.
K-121	Splash Mount Swivel Gooseneck Faucet	3 1/2"	8"	5 1/2"	5 3/4"	Single Hole
K-123	6" Extended Spout Faucet	6"	5"	2 1/2"	8"	4" O.C.
K-159	3 1/2" Spout Faucet	3 1/2"	8"	5"	6"	8" O.C.
K-160	6" Extended Spout Faucet	6"	5"	4"	8"	8" O.C.
K-170	Eye Wash Attachment (See Above Detail)	N/A	N/A	N/A	N/A	N/A
K-175	Hands Free AC/DC Operated Faucet 6' Cord. INPUT: 100-240VAC 47-6Hz. < 1 Amp Draw. UL LISTED	4 1/2"	7"	3 3/4"	5 1/2"	Single Hole
K-206	6" Extended Spout Faucet with Wrist Handles	6"	5"	2 1/2"	8"	4" O.C.
K-211	Heavy Duty Extra Long Spout Faucet	18"	7 3/4"	5"	21"	8" O.C.
K-240*	Service Faucet	6 1/2"	2 1/2"	1 3/8"	9"	8" O.C.
K-316	Wrist Handle Gooseneck Faucet	3 1/2"	8"	5"	6"	4" O.C.
K-400	Hands Free Wand	N/A	N/A	N/A	N/A	N/A
DTA-53	Heavy Duty Pre-Rinse Faucet	15"	34"	5"	15"	8" O.C.

\* Does not meet Federal Lead Free Standards as it is not intended for potable water.

N/A = Not Applicable To Faucet

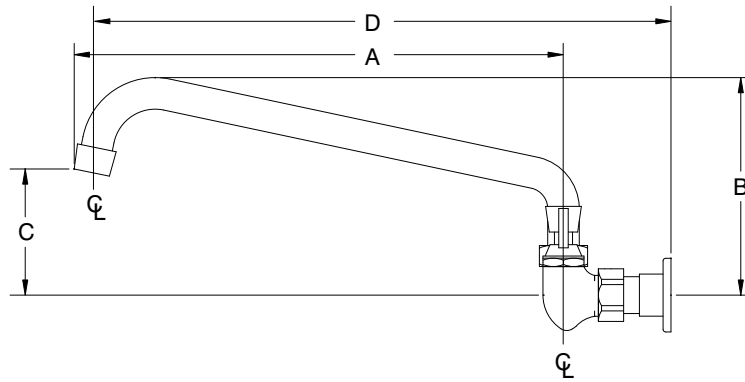
# DIMENSIONS and SPECIFICATIONS

TOL ± .125"

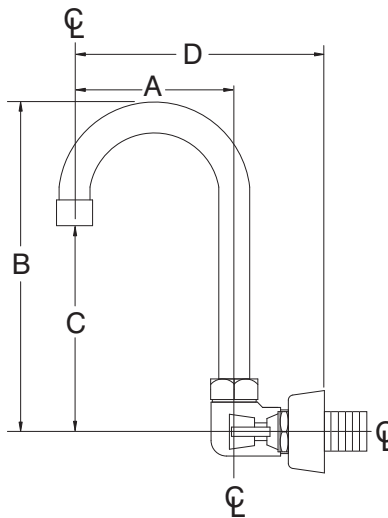
ALL DIMENSIONS ARE TYPICAL

## SPLASH MOUNTED FAUCETS

### Swing Spout Faucet



### Gooseneck Faucet



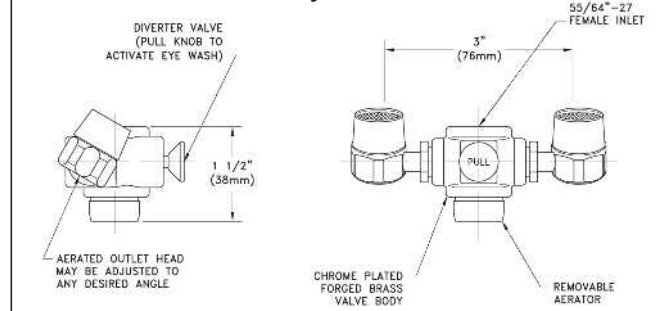
**All Faucets That Meet 2014 Federal Lead Free Standards  
(\*Excludes K-240 Service Faucets)**

For Replacement Faucets & Upgrades, Drains & Accessories  
visit our website at [www.advancetabco.com](http://www.advancetabco.com)

**ALL FAUCET AERATORS  
CONFORM TO  
ASTM.A112.18.1M  
2.0 GPM/7.56 LPM  
THREAD: 55/64 - 27 FEMALE**

**K-240 SERVICE FAUCET  
9.6 GPM/36.3 LPM  
3/4" HOSE END SPOUT**

### K-170 - Eye Wash Detail



ADVANCE TABCO is constantly engaged in a program of improving our products. Therefore, we reserve the right to change specifications without prior notice.

© ADVANCE TABCO, JANUARY 2014

