



JOB:
ITEM:
QTY:

1290 Enclosed Pan Racks

Built to Accommodate 18" x26" Sheet pans

Clean, High Volume Storage Cabinet

Ideal cabinet for food delivery and storage. Formed door and rear panel create a chimney effect allowing air to circulate freely from top to bottom. Solid side panels are composed of interlocking aluminum extrusions with guides spaced on 1-1/2" centers for maximum capacity. Units are secured with heavy duty tie rods of 3/4" x 1" tube.

Easy to Maneuver

Equipped with four 5" platform swivel type heavy duty casters with non-marking wheels, these all welded aluminum carts can be loaded up and easily rolled into place.

Sanitary

Each unit is all welded with all seams fully welded and sealed providing a smooth, easy to clean surface. No cracks or crevices to trap dirt!

Guaranteed Dependable

All units carry a **Lifetime Guarantee** against rust and corrosion as well as a **Five-Year Guarantee** against material defects and workmanship.



#1290PP • #1290WDW • #1292
Enclosed Pan Rack



Enclosed Pan Racks are also referred to as transport carts. Caution must be used when transporting over the road to prevent abuse. For this reason, all models (except for the #1290A) are reinforced making them more durable for transporting.



New Age Industrial reserves the right to modify or make changes at any time without notice to materials and specifications.



Phone:800-255-0104
Fax: 877-877-7687
www.newageindustrial.com
sales@newageindustrial.com

APPLICATIONS: General storage and movement of trays and pans.

CONSTRUCTION: Heavy duty, high tensile, extruded aluminum. Type 6063-T5 alloy.

UPPER FRAME & TOP: The upper frame is constructed of vertical uprights 1" x 2-1/2" x 1/8" thick extruded aluminum channels with top cross and side bracing of 1-1/4" x 1-1/4" x .070 wall extruded aluminum tubing, all fully welded together. A solid cap of .063 thick aluminum is welded to uprights and cross bracing.

COMPOUND GUIDES: The compound guides are interlocking solid wall type, extruded aluminum panels. Each panel has a series of guides spaced 1-1/2" on center, with 1/2" ledges and .090 wall thickness. The guides are welded to the vertical uprights.

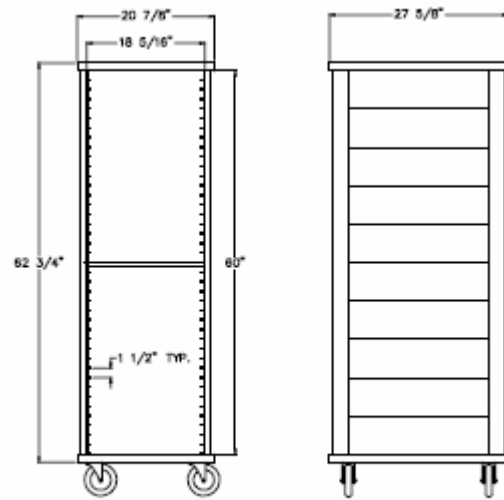
REAR PANEL: Rear panel is .080 thick aluminum panel with a corrugation on each side for strength and enhanced air circulation. Panel is welded to the top, bottom, and rear vertical uprights.

DOOR: Door consists of 1/8" thick aluminum panel with a corrugation on each side. The door is supported by three stainless steel hinges designed to provide 270° door swing. A positive gravity catch is provided to retain door in a closed position. A universal card holder is bolted to the upper front of the door.

TIE ROD: A 3/4" x 1" x .070 wall extruded aluminum tube tie rod is welded to the front vertical uprights for extra rigidity. Model #1291 uses two tie rods, one at each end.

BOTTOM FRAME: Bottom frame is constructed of 1/8" thick aluminum sheet with four sides bent down 1-3/8", all corners welded smoothly. Tubular framework welded inside the 1/8" aluminum sheet for extra rigidity. Caster plates (2-3/4" x 4-3/8" thick pre-tapped) are welded to bottom of frame.

CASTERS: Four platform type 5" casters, full swivel design with sealed ball bearing axle and non-marking wheels.



Model #1290

Enclosed Pan Rack

Model Size Pan H.D. Ship

No. W-H-D Casters Cap. Base Wt.

1/2"-SIZE ENCLOSED PAN RACK — 1-1/2" Runner Spacing

1296 20-7/8" x 38" x 27-5/8"5" (#C450) 20No72#

3/4"-SIZE ENCLOSED PAN RACK — 1-1/2" Runner Spacing

1293 20-7/8" x 56" x 27-5/8"5" (#C450) 32 Yes ...106#

FULL SIZE ENCLOSED PAN RACK — 1-1/2" Runner Spacing

1290 20-7/8" x 68" x 27-5/8"5" (#C450) 40 Yes ... 113#

1290A..... 20-7/8" x 68" x 27-5/8"5" (#C450) 40No 110#

1290WDW ... 20-7/8" x 69" x 27-5/8"6" (#C418) 38 Yes ...132#

1292 20-7/8" x 69" x 27-5/8"6" (#C490) 38 Yes ...132#

SOLID SIDES, OPEN ENDS, SOLID TOP & BOTTOM — 1-1/2" Runner Spacing

1291 20-7/8" x 68" x 27-5/8"5" (#C450) 40 Yes79#

PASS-THRU ENCLOSED PAN RACKS W/ FRONT & REAR DOORS-1-1/2" Runner Spacing

1295 20-7/8" x 68" x 27-5/8"5" (#C450) 40 Yes ...125#

Castors:

#C418 = 6" x 2" K-Urethane platform type swivel caster.

#C450 = 5" x 1-3/8" polyurethane platform type swivel caster.

#C490 = 6" x 2" polyolefin platform type swivel caster.

All Units Must Ship Common Carrier

OPTIONS:

- **Corner Bumpers (4)** - Add "B" suffix to model #.
- **Full Perimeter Bumper** - Add "PB" suffix to model #.
- **Caster Locks (2)** - Add "CL" suffix to model #.
- **Open Door Latch** - Add "DL" suffix to model #.
- **Prison Package** - Add "PP" suffix to model # (38 pan capacity).
 - (4) Stainless Steel Hinges (+) Extra Interior Bracing.
 - (4) 6" Casters (#C490) (+) Tamper-Proof Screws & Bolts
 - (2) Padlock Holes In Door



Phone:800-255-0104
 Fax: 877-877-7687
www.newageindustrial.com
sales@newageindustrial.com

New Age Industrial reserves the right to modify or make changes at any time without notice to materials and specifications.