

JOB:
ITEM:
QTY:

SLANT DISPLAY RACK

APPLICATION:

This rack is designed to provide an attractive display with high product visibility.

MATERIAL:

Frame is constructed of 1"x1"x.070" wall tubing. Angle runners are 1 1/4"x1 5/8"x.100" wall. Tube is reinforced with a channel to help prevent breakage from the stem casters.

CASTERS:

These racks come equipped with four 5" stem type swivel casters.

GUARANTEE:

These racks carry a **Lifetime Guarantee** against rust and corrosion and also carry a **Five-Year Guarantee** against workmanship and material defects.

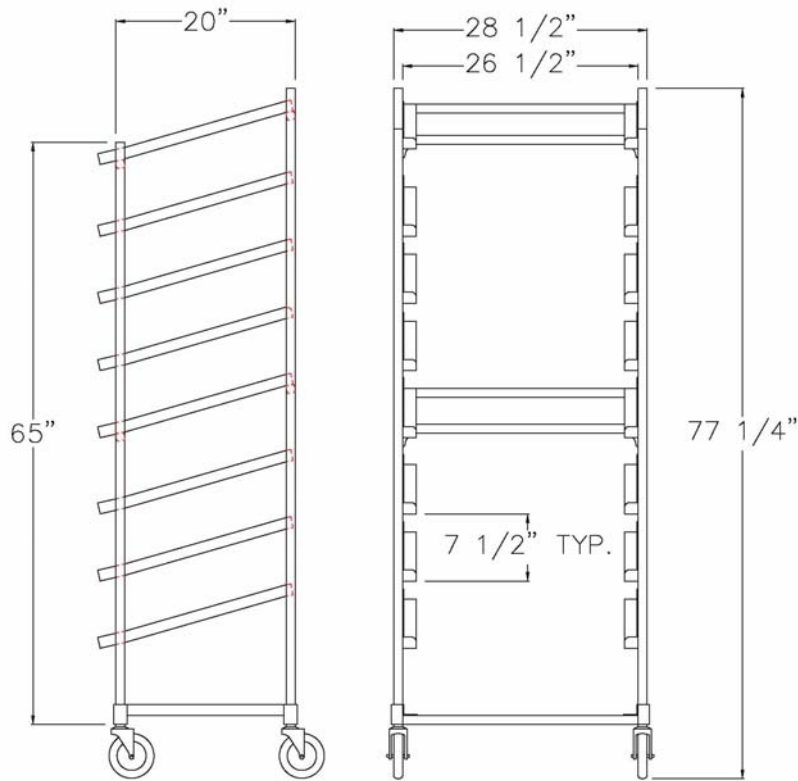


Model #1137



Phone:800-255-0104
Fax: 877-877-7687
www.newageindustrial.com
sales@newageindustrial.com

New Age Industrial reserves the right to modify or make changes at any time without notice to materials and specifications.



Model #1139

Model No.	Size-W	Size-H	Size-D	Runner Spac.	Pan Cap.
1137	28 1/2"	70"	22"	8 3/4"	7
1139	28 1/2"	77 1/4"	22"	7 1/2"	9



Phone: 800-255-0104
 Fax: 877-877-7687
www.newageindustrial.com
sales@newageindustrial.com

New Age Industrial reserves the right to modify or make changes at any time without notice to materials and specifications.